

# SCOUT

814WUFC200P60 180°

EAN 4031582428780

Swivel castor, stainless steel housing with wheel brake and automatic directional stability, precision ball bearing in swivel bearing with long-life grease, swivel bearing with dust protection and grease nipple, wheel brake according to ball-pen principle, plate fitting Swivel castor with automatic directional stability and wheel brake, befæstigelsesplade. Wheel centre made of polyamide, tread made of a non-marking elastic tyre, with small thread guard, two INOX precision ball bearings, sealed, washable



BETTER MOBILITY. BETTER LIFE.



Illustrationen kan afvige fra originalen

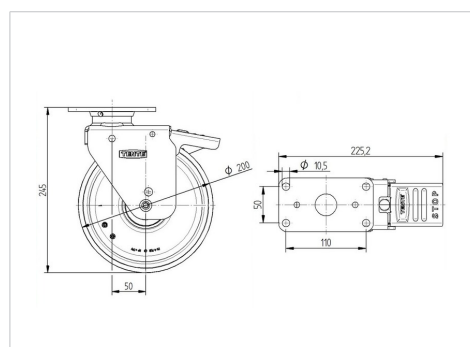
## Tekniske data

Hjul-Ø	200 mm
Hjulbredde	46 mm
Hjulbredde	74 mm
Plademål	130 x 74 mm
Hulafstand	110 x 50 mm
Pladehul-Ø	10,5 mm
DOM-Ø	68 mm
Udladning	50 mm
Udfaldsdiameter	325 mm
Byggehøjde	245 mm
Temperaturinterval	- 20 / + 80 °C
Standard	similar_EN12532
Vægt	3.501 kg
Udfaldsradius	162.5 mm
Hjulbane hårdhed	Shore A 64
Belastning (dynamisk)	250 kg
Belastning (statisk)	500 kg

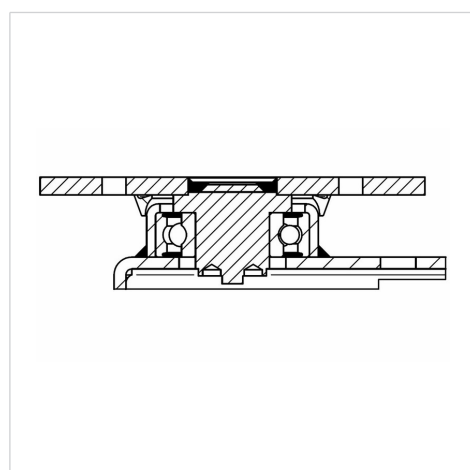
## Egenskaber/fordele

Rullemodstand	● ● ● ● ○
Kørselsstøj	● ● ● ● ●
Slid	● ● ● ○ ○
Rustbeskyttelse	● ● ● ● ●

## Dimensioner



## Struktur og montering



# SCOUT

814WUFC200P60 180°

EAN 4031582428780



BETTER MOBILITY. BETTER LIFE.

## Struktur og montering

