

OMIKRON TWIN

9950STP500P68

EAN 4031582316858

Swivel castor, housing and plate steel-welded, zinc plated, blue passivated, sealed swivel bearing with dual purpose bearing and tapered roller bearing, threaded king pin and locking nut secured, grease nipple, wheel axle with nut, plate fitting. Wheel centre made of pressed steel, lacquered, heavy duty, Tread: Polyurethane, casted, precision ball bearing



BETTER MOBILITY. BETTER LIFE.

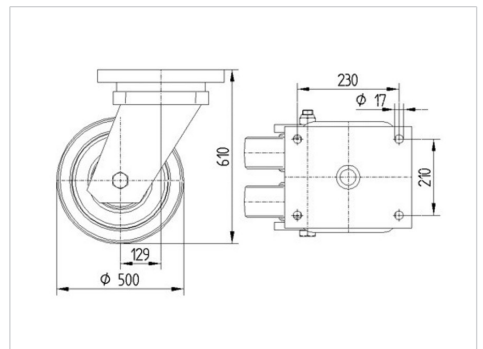


Picture may differ from original product

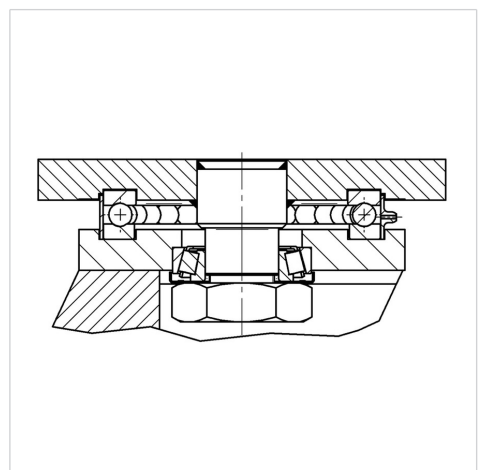
Technical Data

Wheel diameter	500 mm
Wheel width	80 mm
Castor width	345 mm
Size of Plate	270 x 250 mm
Plate hole centres	230 x 210 mm
Plate hole	17 mm
Dome-Ø	316 mm
Offset	130 mm
Swivel Interference	790 mm
Overall height	610 mm
Temperature	- 10 / + 60 °C
Standard	EN_12533
Weight	125.409 kg
Swivel Radius	395 mm
Hardness of tread	Shore A 92
Load capacity	7200 kg
Load capacity (static)	14400 kg

Dimensions



Structure & Mounting



Advantages at a glance

Roll performance	● ● ● ○ ○
Movement noise	● ● ● ○ ○
Attrition	● ● ● ● ○
Corrosion resistance	● ● ● ○ ○

OMIKRON TWIN

9950STP500P68

EAN 4031582316858



BETTER MOBILITY. BETTER LIFE.

Structure & Mounting

