

LINEA

5944UAP150R36-32S300H155 4xM6

EAN 4031582338904

Swivel castor with central, total lock and central directional lock, housing made of Polyamide, precision ball bearing in swivel head, stem with cam hole for profile bars, short version. Wheel centre made of Polyamide, Tread: Polyurethane, precision ball bearing TÜV Süd certified product.



BETTER MOBILITY. BETTER LIFE.



Picture may differ from original product

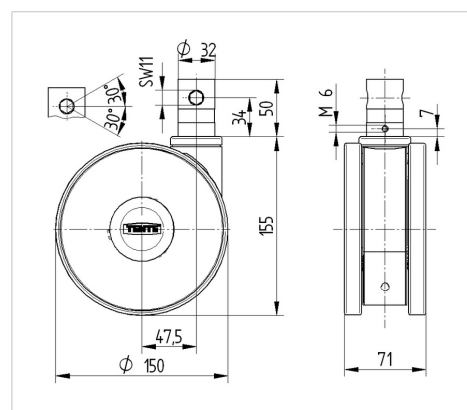
Technical Data

| | |
|------------------------|----------------|
| Wheel diameter | 150 mm |
| Wheel width | 15 mm |
| Castor width | 71 mm |
| Bolt-Ø | 32 mm |
| Bolt length | 50 mm |
| Dome-Ø | 45.5 mm |
| Offset | 47.5 mm |
| Swivel Interference | 254 mm |
| Overall height | 155 mm |
| Temperature | - 10 / + 40 °C |
| Standard | EN_12531 |
| Weight | 1.077 kg |
| Swivel Radius | 127 mm |
| Hardness of tread | Shore D 42 |
| Load capacity | 150 kg |
| Load capacity (static) | 450 kg |

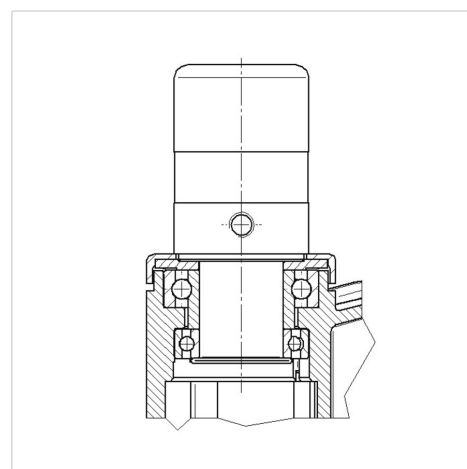
Advantages at a glance

| | |
|----------------------|-----------|
| Roll performance | ● ● ● ● ● |
| Movement noise | ● ● ● ○ ○ |
| Attrition | ● ● ● ● ○ |
| Corrosion resistance | ● ● ● ● ○ |

Dimensions



Structure & Mounting



LINEA

5944UAP150R36-32S300H155 4xM6

EAN 4031582338904



BETTER MOBILITY. BETTER LIFE.

Structure & Mounting

