

# INTEGRAL

2044XSX200R26-28S45 4xM8

EAN 4031582341881

Swivel castor with central, total lock and central directional lock, frame made of pressed steel, precision ball bearing in swivel head and wheel, housing cover made of synthetic plastics, stem with cam hole for profile bars. Wheel centre made of Polyamide, electric conductive, Tread made of injected Polyurethane, with threadguards, precision ball bearing, sealed

Hint: TÜV Süd certified product. Washable beds must be sealed in the fitting area by the hospital bed manufacturer.



BETTER MOBILITY. BETTER LIFE.

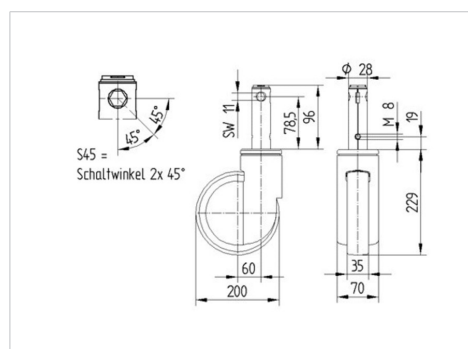


Picture may differ from original product

## Technical Data

Wheel diameter	200 mm
Wheel width	35 mm
Castor width	70 mm
Bolt-Ø	28 mm
Bolt length	96 mm
Dome-Ø	70 mm
Offset	60 mm
Swivel Interference	320 mm
Overall height	229 mm
Temperature	- 25 / - 25 °C
Standard	EN_12531
Weight	1.58 kg
Swivel Radius	160 mm
Hardness of tread	Shore D 59
Load capacity	150 kg
Load capacity (static)	450 kg

## Dimensions



## Advantages at a glance

Roll performance	● ● ● ○ ○
Movement noise	● ● ● ○ ○
Attrition	● ● ● ○ ○
Corrosion resistance	● ● ● ○ ○

# INTEGRAL

2044XSX200R26-28S45 4xM8

EAN 4031582341881



BETTER MOBILITY. BETTER LIFE.

## Structure & Mounting

---

This block contains three award logos. At the top left is the 'if' logo, a red square with white stylized letters 'i' and 'f'. To its right, the text 'product design award winner' is written in red. Below this is the 'reddot' logo, a red sphere with white horizontal stripes, followed by the text 'reddot design award winner' in black. At the bottom is the TÜV SÜD logo, a blue octagon with a white 'S' in a circle at the top, 'TÜV SÜD' in the center, and 'Production monitored Type tested' at the bottom.