

# SCOUT

## 814WUAC200P60 180° smart

EAN 4031582429930

Swivel castor, stainless steel housing with wheel brake and automatic directional stability, precision ball bearing in swivel bearing with long-life grease, swivel bearing with dust protection and grease nipple, wheel brake according to ball-pen principle, plate fitting Swivel castor with automatic directional stability and wheel brake, plate fitting. Wheel centre made of polyamide, tread made of polyurethane, two INOX precision ball bearings, sealed, washable



BETTER MOBILITY. BETTER LIFE.



Picture may differ from original product

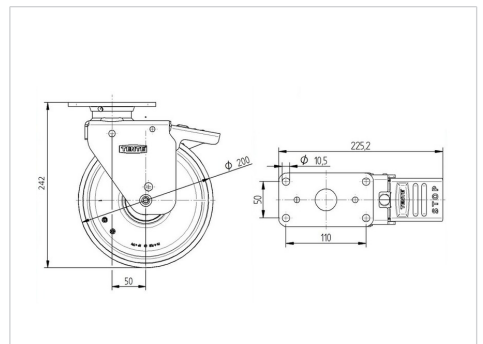
### Technical Data

|                        |                 |
|------------------------|-----------------|
| Wheel diameter         | 200 mm          |
| Wheel width            | 40 mm           |
| Castor width           | 72 mm           |
| Size of Plate          | 130 x 74 mm     |
| Plate hole centres     | 110 x 50 mm     |
| Plate hole             | 10,5 mm         |
| Dome-Ø                 | 66 mm           |
| Offset                 | 50 mm           |
| Swivel Interference    | 325 mm          |
| Overall height         | 242 mm          |
| Temperature            | - 40 / + 80 °C  |
| Standard               | similar_EN12532 |
| Weight                 | 2.872 kg        |
| Swivel Radius          | 162.5 mm        |
| Hardness of tread      | Shore A 92      |
| Load capacity          | 150 kg          |
| Load capacity (static) | 300 kg          |

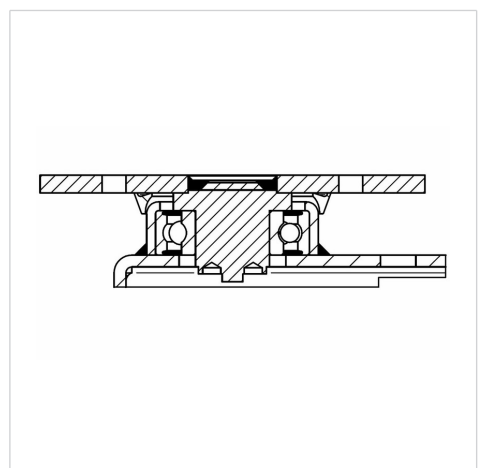
### Advantages at a glance

|                      |           |
|----------------------|-----------|
| Roll performance     | ● ● ● ○ ○ |
| Movement noise       | ● ● ● ○ ○ |
| Attrition            | ● ● ● ● ○ |
| Corrosion resistance | ● ● ● ○ ○ |

### Dimensions



### Structure & Mounting



# SCOUT

814WUAC200P60 180° smart

EAN 4031582429930



BETTER MOBILITY. BETTER LIFE.

## Structure & Mounting

