

# AGILA

2470XSP125R47-36-40

EAN 4031582341669

Swivel castor, housing made of pressed steel, bright zinc plated, blue passivated, double ball bearing swivel head, wheel axle with nut, expanding fitting (square). Wheel centre made of Polyamide, electric conductive, tread made of Polyurethane, with threadguards, precision ball bearing. Please indicate required tube innerdiameter when ordering.



BETTER MOBILITY. BETTER LIFE.



Picture may differ from original product

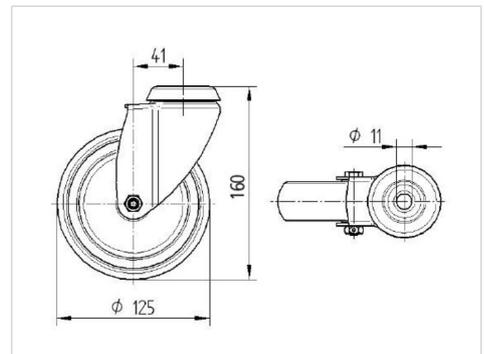
## Technical Data

|                        |                |
|------------------------|----------------|
| Wheel diameter         | 125 mm         |
| Wheel width            | 32 mm          |
| Expanding fitting-Ø    | 36 - 40 mm     |
| Offset                 | 41 mm          |
| Swivel Interference    | 207 mm         |
| Overall height         | 163 mm         |
| Temperature            | - 10 / + 40 °C |
| Standard               | EN_12530       |
| Swivel Radius          | 103.5 mm       |
| Hardness of tread      | Shore D 40     |
| Load capacity          | 100 kg         |
| Load capacity (static) | 200 kg         |

## Advantages at a glance

|                      |           |
|----------------------|-----------|
| Roll performance     | ● ● ● ○ ○ |
| Movement noise       | ● ● ● ○ ○ |
| Attrition            | ● ● ● ○ ○ |
| Corrosion resistance | ● ● ● ○ ○ |

## Dimensions



## Structure & Mounting

