

PURETECH

PIR080x35-Ø12

EAN 4031582370713

Wheel centre made of Polypropylene, Tread: solid rubber, grey non-marking, roller bearing



BETTER MOBILITY. BETTER LIFE.

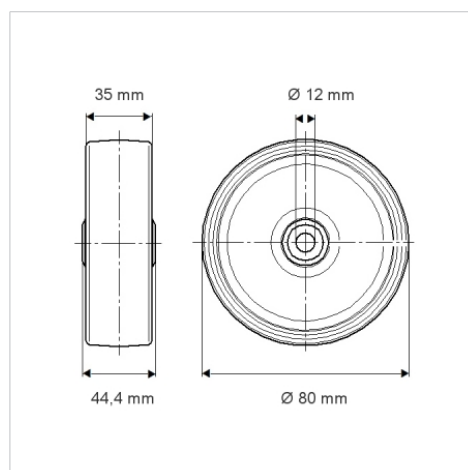


Picture may differ from original product

Technical Data

| | |
|------------------------|----------------|
| Wheel diameter | 80 mm |
| Wheel width | 35 mm |
| Axle Hole-Ø | 12 mm |
| Hub length | 44.4 mm |
| Temperature | - 20 / + 60 °C |
| Standard | EN_12532 |
| Weight | 0.197 kg |
| Hardness of tread | Shore A 80 |
| Load capacity | 70 kg |
| Load capacity (static) | 140 kg |

Dimensions



Advantages at a glance

| | |
|----------------------|-----------|
| Roll performance | ● ● ● ○ ○ |
| Movement noise | ● ● ● ○ ○ |
| Attrition | ● ● ○ ○ ○ |
| Corrosion resistance | ● ● ● ○ ○ |