

LEVINA LIGHT

5220PJP075S70-10x15

EAN 4031582492569

Swivel castor, Housing made of glass-filled Polyamide, threaded stem with hexagon neck. Wheel centre made of Polypropylene, Tread: TENTEprene (thermoplastic rubber), grey non-marking, precision ball bearing



BETTER MOBILITY. BETTER LIFE.



Picture may differ from original product

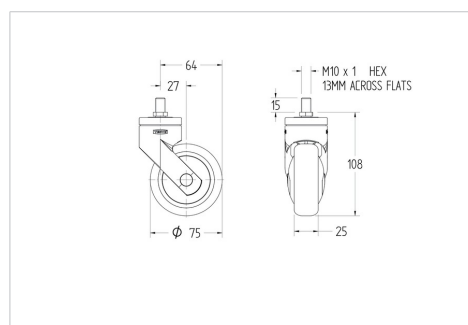
Technical Data

Wheel diameter	75 mm
Wheel width	25 mm
Threaded stem	M10x15 mm
Offset	27 mm
Swivel Interference	129 mm
Overall height	109 mm
Temperature	- 10 / + 40 °C
Standard	EN_12530
Weight	0.194 kg
Hardness of tread	Shore A 87
Load capacity	75 kg

Advantages at a glance

Roll performance	● ● ● ○ ○
Movement noise	● ● ● ● ○
Attrition	● ● ● ○ ○
Corrosion resistance	● ● ● ● ○

Dimensions



Structure & Mounting

