

# STYLEA

5920UOI075L51-10 DOM20

EAN 4031582310962

Swivel castor, housing made of Polyamide, with blind hole fitting. Wheel centre made of Polyamide, plain bearing



BETTER MOBILITY. BETTER LIFE.

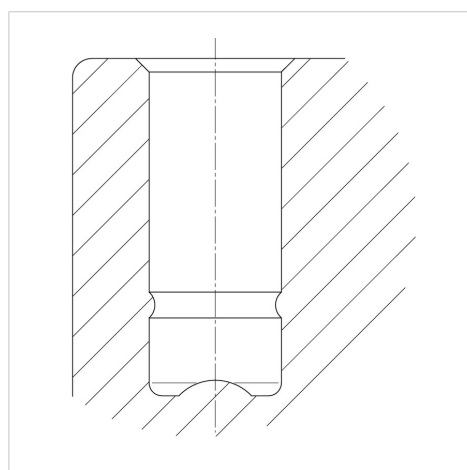


Picture may differ from original product

## Technical Data

Wheel diameter	75 mm
Wheel width	8 mm
Castor width	54 mm
Centre hole	10 mm
Dome-Ø	20 mm
Offset	30 mm
Swivel Interference	124 mm
Overall height	77 mm
Temperature	- 20 / + 60 °C
Standard	EN_12528
Weight	0.119 kg
Swivel Radius	62 mm
Hardness of tread	Shore D 65
Load capacity	50 kg
Load capacity (static)	100 kg

## Structure & Mounting



## Advantages at a glance

Roll performance	● ● ● ○ ○
Movement noise	● ● ● ○ ○
Attrition	● ● ● ● ●
Corrosion resistance	● ● ● ● ○