

# LINEA

5940UAP100P30-11 RAL9002

EAN 4031582338706

Swivel castor, housing made of Polyamide, precision ball bearing in swivel head, bolt hole. Wheel centre made of Polyamide, Tread: Polyurethane, precision ball bearing



BETTER MOBILITY. BETTER LIFE.



Picture may differ from original product

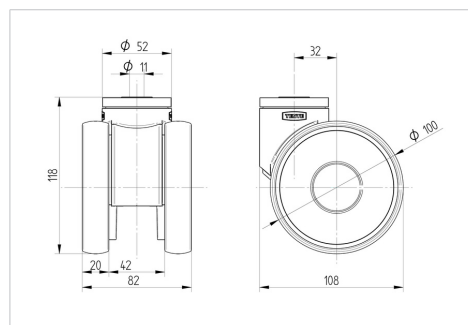
## Technical Data

Wheel diameter	100 mm
Wheel width	20 mm
Castor width	82 mm
Centre hole	11 mm
Dome-Ø	52 mm
Offset	32 mm
Swivel Interference	180 mm
Overall height	118 mm
Temperature	- 10 / + 40 °C
Standard	EN_12530
Weight	0.611 kg
Swivel Radius	90 mm
Hardness of tread	Shore A 92
Load capacity	120 kg
Load capacity (static)	240 kg

## Advantages at a glance

Roll performance	● ● ● ● ●
Movement noise	● ● ● ○ ○
Attrition	● ● ● ● ○
Corrosion resistance	● ● ● ● ○

## Dimensions



## Structure & Mounting

