

LINEA

5941UAP100R05-22 RAL9002

EAN 4031582368734

Swivel castor with directional lock, housing made of Polyamide, precision ball bearing in swivel head, solid plug fitting. Wheel centre made of Polyamide, Tread: Polyurethane, precision ball bearing



BETTER MOBILITY. BETTER LIFE.



Picture may differ from original product

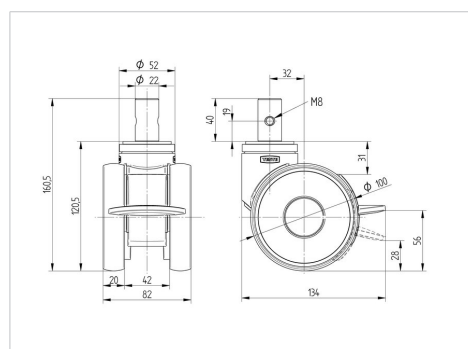
Technical Data

Wheel diameter	100 mm
Wheel width	20 mm
Castor width	82 mm
Bolt-Ø	22 mm
Bolt length	40 mm
Dome-Ø	52 mm
Offset	32 mm
Swivel Interference	216 mm
Overall height	120 mm
Temperature	- 10 / + 40 °C
Standard	EN_12530
Weight	0.922 kg
Swivel Radius	108 mm
Hardness of tread	Shore A 92
Load capacity	120 kg
Load capacity (static)	240 kg

Advantages at a glance

Roll performance	● ● ● ● ●
Movement noise	● ● ● ○ ○
Attrition	● ● ● ● ○
Corrosion resistance	● ● ● ● ○

Dimensions



Structure & Mounting

