

# INTEGRAL TWIN

2946USX100R26-28S45 4xM8

EAN 4031582340624

Swivel castor with central total lock, frame made of pressed steel, precision ball bearing in swivel head, housing with synthetic cover, stem with cam hole for profile bars. Wheel centre made of Polyamide, electric conductive, tread made of injected Polyurethane, with threadguards, precision ball bearing, sealed

Hint: TÜV Süd certified product. Washable beds must be sealed in the fitting area by the hospital bed manufacturer.



BETTER MOBILITY. BETTER LIFE.

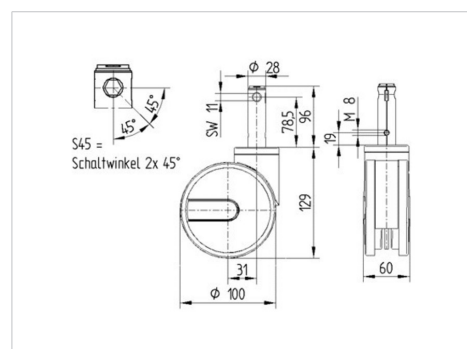


Picture may differ from original product

## Technical Data

Wheel diameter	100 mm
Wheel width	15 mm
Castor width	60 mm
Bolt-Ø	28 mm
Bolt length	96 mm
Offset	31 mm
Swivel Interference	162 mm
Overall height	129 mm
Temperature	- 30 / + 80 °C
Standard	similar_EN12531
Weight	1.39 kg
Swivel Radius	81 mm
Hardness of tread	Shore D 40
Load capacity	125 kg
Load capacity (static)	375 kg

## Dimensions



## Advantages at a glance

Roll performance	● ● ● ● ●
Movement noise	● ● ● ○ ○
Attrition	● ● ● ● ○
Corrosion resistance	● ● ● ○ ○

# INTEGRAL TWIN

2946USX100R26-28S45 4xM8

EAN 4031582340624



BETTER MOBILITY. BETTER LIFE.

## Structure & Mounting

---

