

SMILES

5525PJI050L51-10 COW White

EAN 4031582338393

Swivel castor with wheel brake, housing made of Polyamide, with blind hole fitting. Wheel centre made of Polypropylene, Tread: TENTEprene (thermoplastic rubber), grey non-marking, plain bearing



BETTER MOBILITY. BETTER LIFE.



Picture may differ from original product

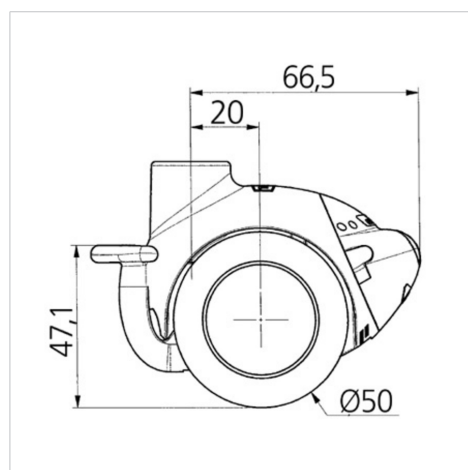
Technical Data

Wheel diameter	50 mm
Wheel width	10 mm
Castor width	55 mm
Centre hole	10 mm
Dome-Ø	23 mm
Offset	20 mm
Swivel Interference	140 mm
Overall height	71.5 mm
Temperature	- 20 / + 60 °C
Standard	EN_12528
Weight	0.112 kg
Swivel Radius	70 mm
Hardness of tread	Shore A 90
Load capacity	40 kg
Load capacity (static)	80 kg

Advantages at a glance

Roll performance	● ● ● ○ ○
Movement noise	● ● ● ○ ○
Attrition	● ● ● ○ ○
Corrosion resistance	● ● ● ● ○

Dimensions



Structure & Mounting



SMILES

5525PJI050L51-10 COW White

EAN 4031582338393



BETTER MOBILITY. BETTER LIFE.

Structure & Mounting



reddot design award
winner