

# STORA

## 2875ZHP125P30-13 LEFT

EAN 4031582357691

, housing made of pressed steel, bright zinc plated, blue passivated, double ball bearing swivel head, wheel axle with nut.

Designed for the following palletsize: track width: approx: 2,75 mm, groove width: approx. 5,7 mm, groove depth: > 10 mm.



BETTER MOBILITY. BETTER LIFE.



Picture may differ from original product

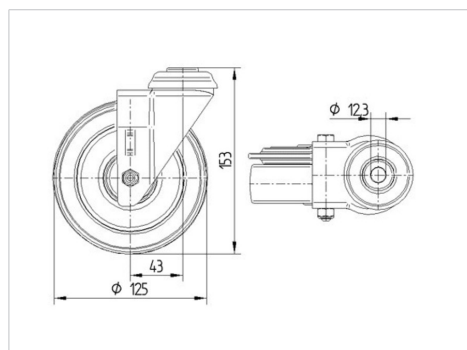
### Technical Data

Wheel diameter	125 mm
Wheel width	32 mm
Castor width	70 mm
Centre hole	13 mm
Dome-Ø	65 mm
Offset	40 mm
Swivel Interference	205 mm
Overall height	153 mm
Temperature	- 20 / + 60 °C
Standard	EN_12530
Weight	0.844 kg
Swivel Radius	102.5 mm
Hardness of tread	Shore D 40
Load capacity	100 kg
Load capacity (static)	200 kg

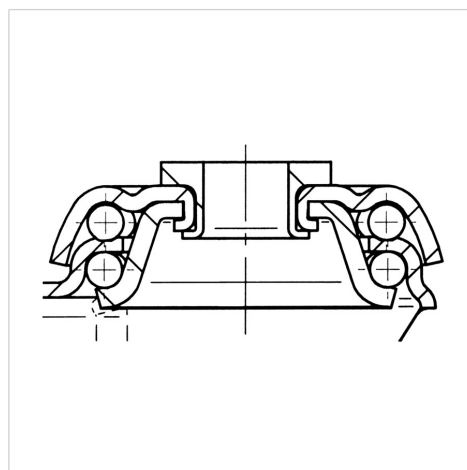
### Advantages at a glance

Roll performance	● ● ● ○ ○
Movement noise	● ● ● ○ ○
Attrition	● ● ● ● ○
Corrosion resistance	● ● ● ○ ○

### Dimensions



### Structure & Mounting



# STORA

2875ZHP125P30-13 LEFT

EAN 4031582357691



BETTER MOBILITY. BETTER LIFE.

## Structure & Mounting

---

