

OMIKRON

9250FTP250P65

EAN 4031582313994

Swivel castor, housing and plate steel-welded, zinc plated, blue passivated, sealed swivel bearing with dual purpose bearing and tapered roller bearing, threaded king pin and locking nut secured, grease nipple, wheel axle with nut, plate fitting. Wheel centre made of cast iron, Tread: Polyurethane, casted, precision ball bearing



BETTER MOBILITY. BETTER LIFE.



Picture may differ from original product

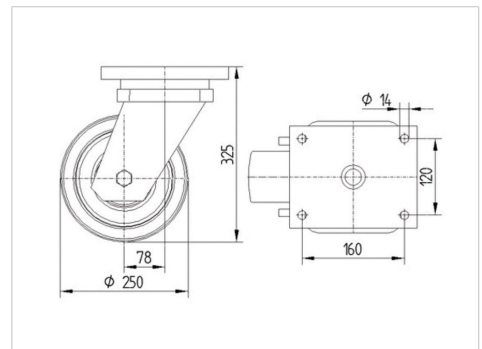
Technical Data

Wheel diameter	250 mm
Wheel width	100 mm
Castor width	182 mm
Size of Plate	200 x 160 mm
Plate hole centres	160 x 120 mm
Plate hole	15 mm
Dome-Ø	160 mm
Offset	75 mm
Swivel Interference	402 mm
Overall height	325 mm
Temperature	- 10 / + 60 °C
Standard	EN_12533
Weight	30.355 kg
Swivel Radius	201 mm
Hardness of tread	Shore A 92
Load capacity	2640 kg
Load capacity (static)	5280 kg

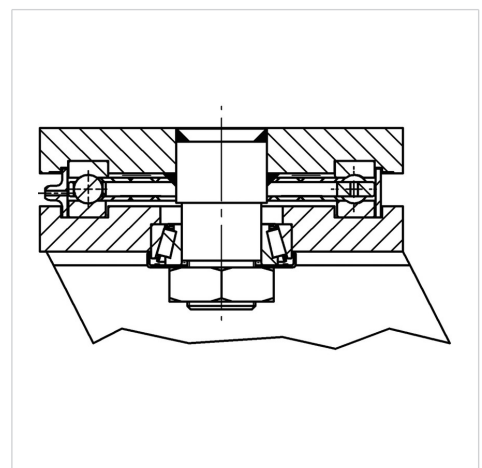
Advantages at a glance

Roll performance	● ● ● ● ○
Movement noise	● ● ● ○ ○
Attrition	● ● ● ● ○
Corrosion resistance	● ● ● ○ ○

Dimensions



Structure & Mounting



OMIKRON

9250FTP250P65

EAN 4031582313994



BETTER MOBILITY. BETTER LIFE.

Structure & Mounting

