

AGILA

2477PJO100P50

EAN 4031582050394

Swivel castor with total lock, tail end of castor, housing made of pressed steel, bright zinc plated, blue passivated, double ball bearing swivel head, wheel axle with nut, plate fitting. Wheel centre made of Polypropylene, Tread: TENTEprene (thermoplastic rubber), grey non-marking, plain bearing



BETTER MOBILITY. BETTER LIFE.

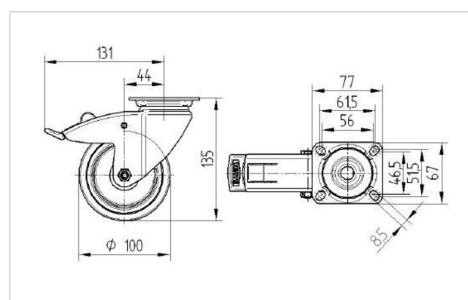


Picture may differ from original product

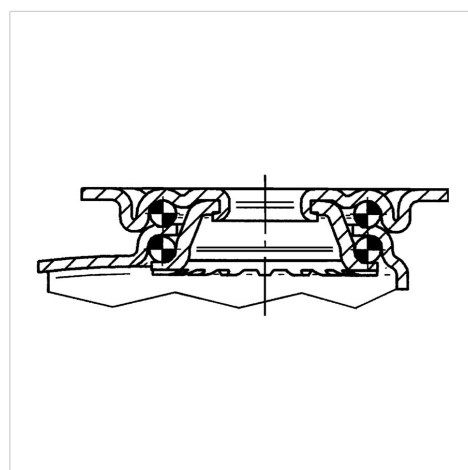
Technical Data

Wheel diameter	100 mm
Wheel width	32 mm
Castor width	60 mm
Size of Plate	77 x 67 mm
Plate hole centres	61,5/56 x 51,5/46,5 mm
Plate hole	8,5 mm
Dome-Ø	60 mm
Offset	43.5 mm
Swivel Interference	262 mm
Overall height	135 mm
Temperature	- 20 / + 60 °C
Standard	EN_12530
Weight	0.763 kg
Swivel Radius	131 mm
Hardness of tread	Shore A 87
Load capacity	80 kg
Load capacity (static)	160 kg

Dimensions



Structure & Mounting



Advantages at a glance

Roll performance	● ● ● ○ ○
Movement noise	● ● ● ○ ○
Attrition	● ● ● ○ ○
Corrosion resistance	● ● ● ○ ○

AGILA

2477PJO100P50

EAN 4031582050394



BETTER MOBILITY. BETTER LIFE.

Structure & Mounting

