

COMPACTA

1298UOI014P80

EAN 4031582300024



BETTER MOBILITY. BETTER LIFE.

Fixed castor, Fork made of pressed steel, bright zinc plated, blue passivated, axle riveted, Plate, round.

Wheel centre made of Polyamide, plain bearing

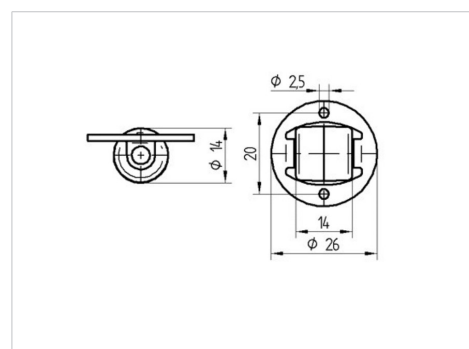


Picture may differ from original product

Technical Data

| | |
|------------------------|----------------|
| Wheel diameter | 14 mm |
| Wheel width | 14 mm |
| Castor width | 19 mm |
| Size of Plate | 26 mm |
| Plate hole centres | 20 mm |
| Plate hole | 2,5 mm |
| Dome-Ø | 19 mm |
| Overall height | 13.5 mm |
| Temperature | - 20 / + 60 °C |
| Standard | EN_12528 |
| Weight | 0.008 kg |
| Hardness of tread | Shore D 65 |
| Load capacity | 15 kg |
| Load capacity (static) | 30 kg |

Dimensions



Advantages at a glance

| | |
|----------------------|-----------|
| Roll performance | ● ● ● ● ○ |
| Movement noise | ● ● ● ○ ○ |
| Attrition | ● ● ● ● ● |
| Corrosion resistance | ● ● ● ○ ○ |