

# INTEGRAL

2040XSX125R05-32

EAN 4031582344653

Swivel castor, frame made of pressed steel, precision ball bearing in swivel head and wheel, housing cover made of synthetic plastics, solid plug fitting. Wheel centre made of Polyamide, electric conductive, Tread made of injected Polyurethane, with threadguards, precision ball bearing, sealed Washable beds must be sealed in the fitting area by the hospital bed manufacturer.



BETTER MOBILITY. BETTER LIFE.



Picture may differ from original product

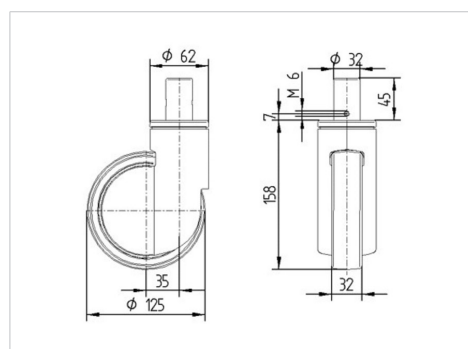
## Technical Data

Wheel diameter	125 mm
Wheel width	32 mm
Castor width	62 mm
Bolt-Ø	32 mm
Bolt length	45 mm
Dome-Ø	62 mm
Offset	35 mm
Swivel Interference	195 mm
Overall height	158 mm
Temperature	- 25 / - 25 °C
Standard	EN_12531
Weight	1.099 kg
Swivel Radius	97.5 mm
Hardness of tread	Shore D 40
Load capacity	150 kg
Load capacity (static)	450 kg

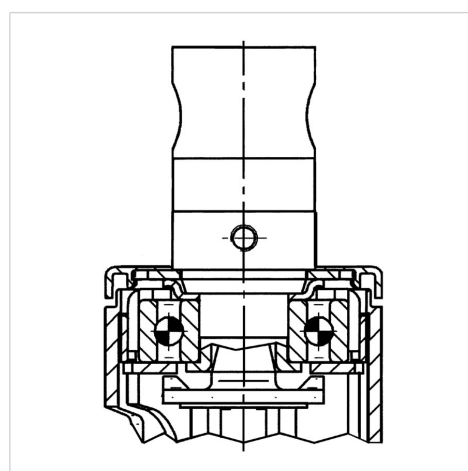
## Advantages at a glance

Roll performance	● ● ● ○ ○
Movement noise	● ● ● ○ ○
Attrition	● ● ● ○ ○
Corrosion resistance	● ● ● ○ ○

## Dimensions



## Structure & Mounting



# INTEGRAL

2040XSX125R05-32

EAN 4031582344653



BETTER MOBILITY. BETTER LIFE.

## Structure & Mounting

---

