

# LINEA

## 5947UAP100P30-11 KICK PEDAL

EAN 4031582350647

Swivel castor with total lock, tail end of castor, housing made of Polyamide, precision ball bearing in swivel head, bolt hole. Wheel centre made of Polyamide, Tread: Polyurethane, precision ball bearing



BETTER MOBILITY. BETTER LIFE.



Picture may differ from original product

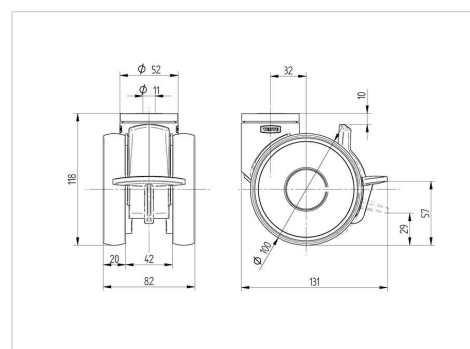
### Technical Data

Wheel diameter	100 mm
Wheel width	20 mm
Castor width	82 mm
Centre hole	11 mm
Dome-Ø	52 mm
Offset	32 mm
Swivel Interference	210 mm
Overall height	118 mm
Temperature	- 10 / + 40 °C
Standard	EN_12530
Weight	0.744 kg
Swivel Radius	105 mm
Hardness of tread	Shore A 92
Load capacity	100 kg
Load capacity (static)	200 kg

### Advantages at a glance

Roll performance	● ● ● ● ●
Movement noise	● ● ● ○ ○
Attrition	● ● ● ● ○
Corrosion resistance	● ● ● ● ○

### Dimensions



### Structure & Mounting

