

# MAXTECH

UAE075x25-Ø8

EAN 4031582322811

Wheel centre made of Polyamide, Tread: Polyurethane, with threadguards, cone ball bearing stainless



BETTER MOBILITY. BETTER LIFE.

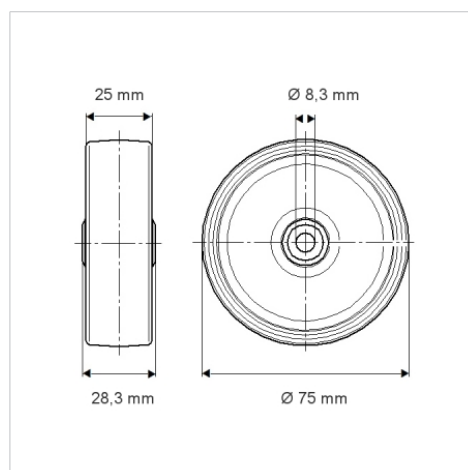


Picture may differ from original product

## Technical Data

Wheel diameter	75 mm
Wheel width	25 mm
Axle Hole-Ø	8.3 mm
Hub length	28.3 mm
Temperature	- 25 / + 80 °C
Standard	EN_12530
Weight	0.112 kg
Hardness of tread	Shore D 40
Load capacity	50 kg
Load capacity (static)	100 kg

## Dimensions



## Advantages at a glance

Roll performance	● ● ● ○ ○
Movement noise	● ● ● ○ ○
Attrition	● ● ● ● ○
Corrosion resistance	● ● ● ○ ○