

# AVIANA

5976PJE075P54

EAN 4031582370966

Swivel castor with central total lock, housing made from high grade synthetic materials, double ball bearing swivel head, axle riveted, plate fitting. Wheel centre made of Polypropylene, Tread: TENTEprene (thermoplastic rubber), grey non-marking, cone ball bearing, stainless steel. Wheel centre made of Polypropylene, Tread: TENTEprene (thermoplastic rubber), grey non-marking, cone ball bearing, POM



BETTER MOBILITY. BETTER LIFE.

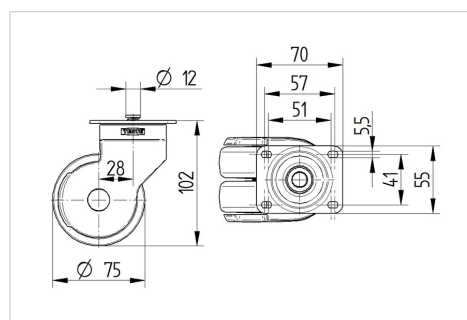


Picture may differ from original product

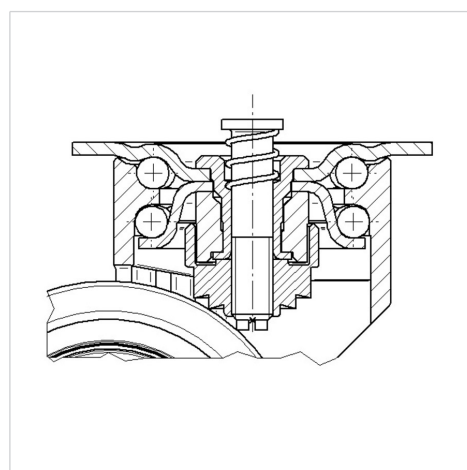
## Technical Data

Wheel diameter	75 mm
Wheel width	25 mm
Castor width	69 mm
Size of Plate	70 x 55 mm
Plate hole centres	57/51 x 41 mm
Plate hole	5,5 mm
Dome-Ø	54 mm
Offset	28 mm
Swivel Interference	137 mm
Overall height	102 mm
Temperature	- 10 / + 40 °C
Standard	EN_12530
Weight	0.342 kg
Swivel Radius	68.5 mm
Hardness of tread	Shore A 87
Load capacity	100 kg

## Dimensions



## Structure & Mounting



## Advantages at a glance

Roll performance	● ● ● ○ ○
Movement noise	● ● ● ○ ○
Attrition	● ● ● ● ○
Corrosion resistance	● ● ● ● ○

# AVIANA

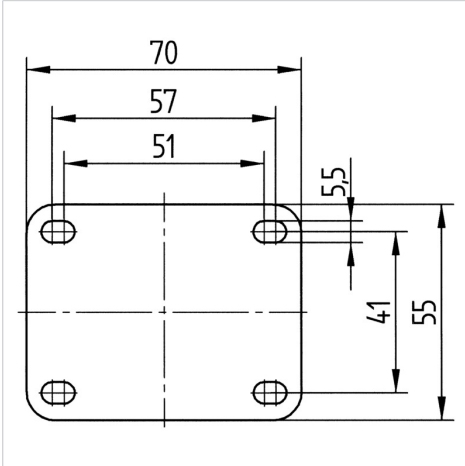
5976PJE075P54

EAN 4031582370966



BETTER MOBILITY. BETTER LIFE.

## Structure & Mounting



**Design Award Winner**

German Designer Club



**reddot design award  
winner**