

LEVINA

5371PJP125P30-11

EAN 4031582351736

Swivel castor with directional lock, housing and wheels made from high grade synthetic materials, double ball bearing swivel head, bolt hole.
Wheel centre made of Polypropylene, Tread: TENTEprene (thermoplastic rubber), grey non-marking, precision ball bearing



BETTER MOBILITY. BETTER LIFE.



Picture may differ from original product

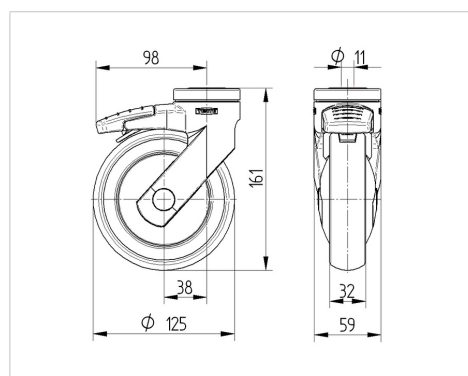
Technical Data

Wheel diameter	125 mm
Wheel width	32 mm
Castor width	59 mm
Centre hole	11 mm
Dome-Ø	59 mm
Offset	38 mm
Swivel Interference	201 mm
Overall height	161 mm
Temperature	- 10 / + 40 °C
Standard	EN_12530
Weight	0.573 kg
Swivel Radius	100.5 mm
Hardness of tread	Shore A 87
Load capacity	100 kg
Load capacity (static)	200 kg

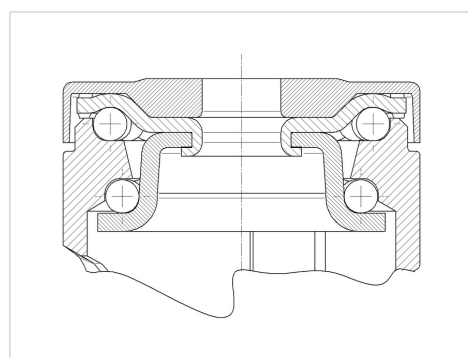
Advantages at a glance

Roll performance	● ● ● ○ ○
Movement noise	● ● ● ● ○
Attrition	● ● ● ○ ○
Corrosion resistance	● ● ● ● ○

Dimensions



Structure & Mounting



PRODUCT INFORMATION

LEVINA

5371PJP125P30-11

EAN 4031582351736



BETTER MOBILITY. BETTER LIFE.

Structure & Mounting

