

SMILES

5520PJI050L51-10 PLANE Silver

EAN 4031582335545

Swivel castor, housing made of Polyamide, with blind hole fitting. Wheel centre made of Polypropylene, Tread: TENTEprene (thermoplastic rubber), grey non-marking, plain bearing



BETTER MOBILITY. BETTER LIFE.



Picture may differ from original product

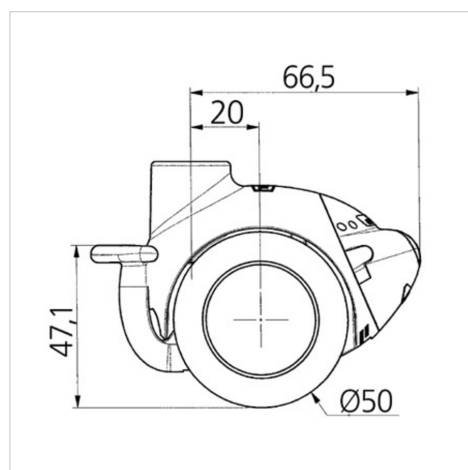
Technical Data

Wheel diameter	50 mm
Wheel width	10 mm
Castor width	55 mm
Centre hole	10 mm
Dome-Ø	23 mm
Offset	20 mm
Swivel Interference	133 mm
Overall height	71.5 mm
Temperature	- 20 / + 60 °C
Standard	EN_12528
Weight	0.101 kg
Swivel Radius	66.5 mm
Hardness of tread	Shore A 90
Load capacity	40 kg
Load capacity (static)	80 kg

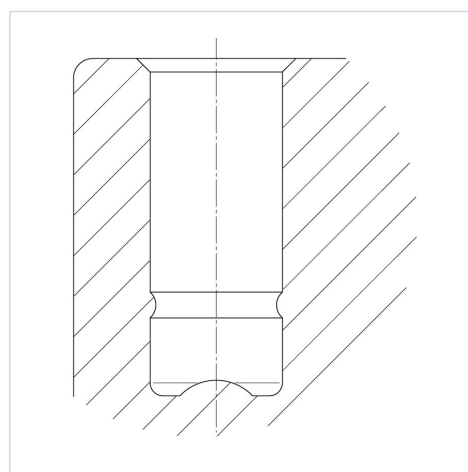
Advantages at a glance

Roll performance	● ● ● ○ ○
Movement noise	● ● ● ○ ○
Attrition	● ● ● ○ ○
Corrosion resistance	● ● ● ● ○

Dimensions



Structure & Mounting



SMILES

5520PJI050L51-10 PLANE Silver

EAN 4031582335545



BETTER MOBILITY. BETTER LIFE.

Structure & Mounting



reddot design award
winner