

LEVINA

5377PJP125P50

EAN 4031582368796

Swivel castor with total lock, tail end of castor, housing and wheels made from high grade synthetic materials, double ball bearing swivel head, plate fitting. Wheel centre made of Polypropylene, Tread: TENTEprene (thermoplastic rubber), grey non-marking, precision ball bearing
Hint: These castors are also with grey locking lever available.



BETTER MOBILITY. BETTER LIFE.

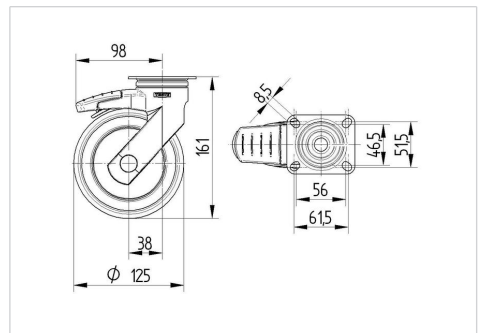


Picture may differ from original product

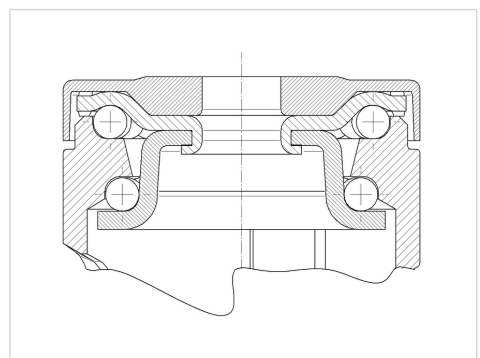
Technical Data

| | |
|------------------------|------------------------|
| Wheel diameter | 125 mm |
| Wheel width | 32 mm |
| Castor width | 59 mm |
| Size of Plate | 77 x 67 mm |
| Plate hole centres | 61,5/56 x 51,5/46,5 mm |
| Plate hole | 8,5 mm |
| Dome-Ø | 59 mm |
| Offset | 38 mm |
| Swivel Interference | 201 mm |
| Overall height | 161 mm |
| Temperature | - 10 / + 40 °C |
| Standard | EN_12530 |
| Weight | 0.616 kg |
| Swivel Radius | 100.5 mm |
| Hardness of tread | Shore A 87 |
| Load capacity | 100 kg |
| Load capacity (static) | 200 kg |

Dimensions



Structure & Mounting



Advantages at a glance

| | |
|----------------------|-----------|
| Roll performance | ● ● ● ○ ○ |
| Movement noise | ● ● ● ● ○ |
| Attrition | ● ● ● ○ ○ |
| Corrosion resistance | ● ● ● ● ○ |

LEVINA

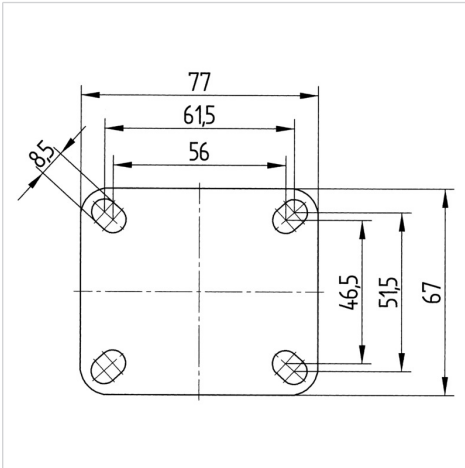
5377PJP125P50

EAN 4031582368796



BETTER MOBILITY. BETTER LIFE.

Structure & Mounting



Design Award Winner

German Designer Club

