

# DURATECH

## TOP082x98-Ø20 HL100

EAN 4031582322668

Wheel centre made of Polyamide, heavy duty, precision ball bearing  
Load capacities on a smooth, even surface.



BETTER MOBILITY. BETTER LIFE.

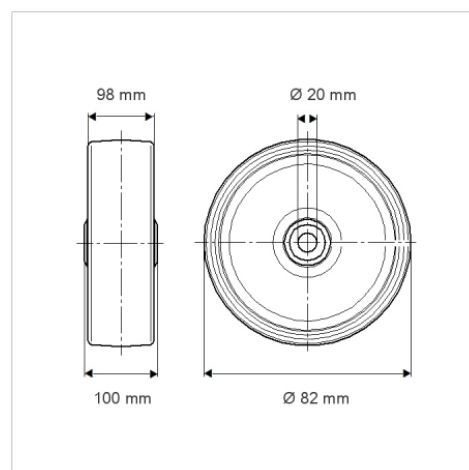


Picture may differ from original product

### Technical Data

Wheel diameter	82 mm
Wheel width	98 mm
Axle Hole-Ø	20 mm
Hub length	100 mm
Temperature	- 40 / + 80 °C
Standard	EN_12533
Weight	0.584 kg
Hardness of tread	Shore D 75
Bearing type	6204ZV No.
Load capacity	900 kg
Load capacity (static)	1800 kg

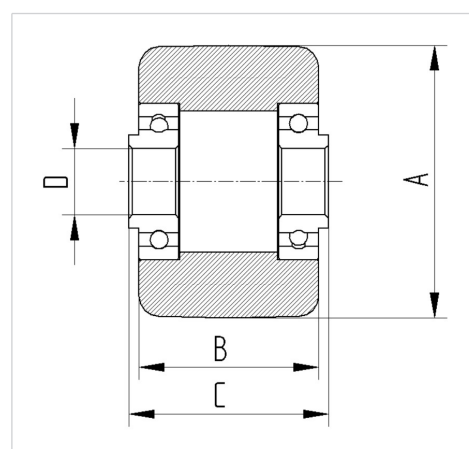
### Dimensions



### Advantages at a glance

Roll performance	● ● ● ● ●
Movement noise	● ● ● ○ ○
Attrition	● ● ● ● ●
Corrosion resistance	● ● ● ○ ○

### Structure & Mounting



# DURATECH

TOP082x98-Ø20 HL100

EAN 4031582322668



BETTER MOBILITY. BETTER LIFE.

## Structure & Mounting

---

