

GLIDE

A229POI050B10-11x20

EAN 4031582319606

Glide made of Polypropylene, for soft floors



BETTER MOBILITY. BETTER LIFE.

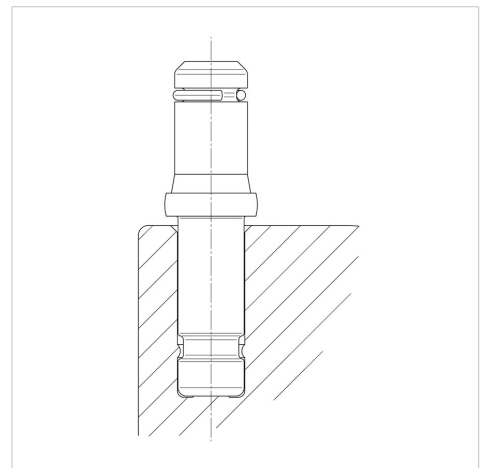


Picture may differ from original product

Technical Data

Wheel diameter	50 mm
Castor width	50 mm
Metal stem with circlip	11 x 20 mm
Dome-Ø	38 mm
Overall height	33 mm
Temperature	- 20 / + 60 °C
Standard	EN12529
Weight	0.055 kg
Collar-Ø	50 mm
Hardness of tread	Shore D 65
Load capacity	30 kg

Structure & Mounting



Advantages at a glance

Roll performance	● ● ● ○ ○
Movement noise	● ● ● ○ ○
Attrition	● ● ● ○ ○
Corrosion resistance	● ● ● ○ ○