

LEVINA LIGHT

5220PJP075S70-1/2-13x1

EAN 4031582492552

Swivel castor, Housing made of glass-filled Polyamide, threaded stem with hexagon neck. Wheel centre made of Polypropylene, Tread: TENTEprene (thermoplastic rubber), grey non-marking, precision ball bearing



BETTER MOBILITY. BETTER LIFE.



Picture may differ from original product

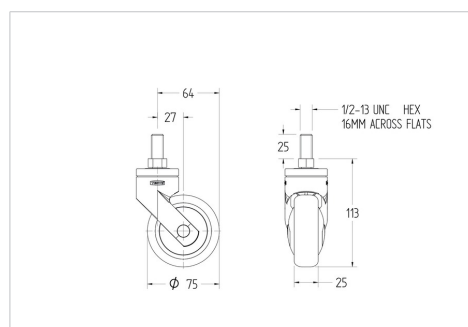
Technical Data

Wheel diameter	75 mm
Wheel width	25 mm
Threaded stem	1/2-13x1 mm
Offset	27 mm
Swivel Interference	129 mm
Overall height	113 mm
Temperature	- 10 / + 40 °C
Standard	EN_12530
Weight	0.218 kg
Hardness of tread	Shore A 87
Load capacity	75 kg
Suitable wheel sizes	100 mm

Advantages at a glance

Roll performance	● ● ● ○ ○
Movement noise	● ● ● ● ○
Attrition	● ● ● ○ ○
Corrosion resistance	● ● ● ● ○

Dimensions



Structure & Mounting

