

NOVATECH

ETP075x40-Ø20 HL40

EAN 4031582318487

Wheel centre made of steel, Tread: Polyurethane, casted, precision ball bearing.

Load capacities on a smooth, even surface.



BETTER MOBILITY. BETTER LIFE.

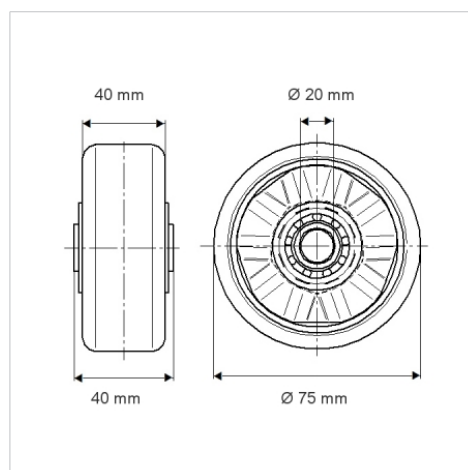


Picture may differ from original product

Technical Data

Wheel diameter	75 mm
Wheel width	40 mm
Axle Hole-Ø	20 mm
Hub length	40 mm
Temperature	- 10 / + 60 °C
Standard	EN_12532
Weight	0.654 kg
Hardness of tread	Shore A 92
Bearing type	6204ZV No.
Load capacity	350 kg
Load capacity (static)	700 kg

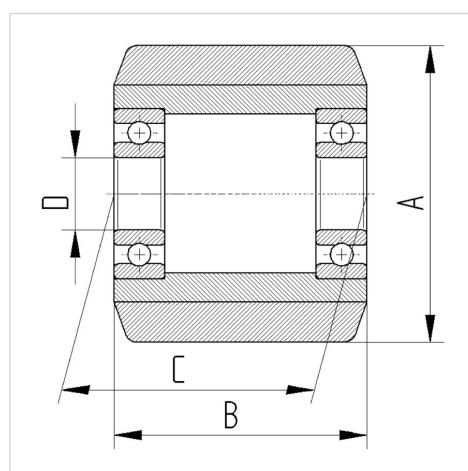
Dimensions



Advantages at a glance

Roll performance	● ● ● ● ○
Movement noise	● ● ● ○ ○
Attrition	● ● ● ● ○
Corrosion resistance	● ● ● ○ ○

Structure & Mounting



NOVATECH

ETP075x40-Ø20 HL40

EAN 4031582318487



BETTER MOBILITY. BETTER LIFE.

Structure & Mounting

