

# INTEGRAL

2044UAP150R36-32S30 4xM6

EAN 4031582300192

Swivel castor with central, total lock and central directional lock, frame made of pressed steel, precision ball bearing in swivel head and wheel, housing cover made of synthetic plastics, stem with cam hole for profile bars, short version. Wheel centre made of Polyamide, Tread: Polyurethane, precision ball bearing  
Hint: TÜV Süd certified product.



BETTER MOBILITY. BETTER LIFE.



Picture may differ from original product

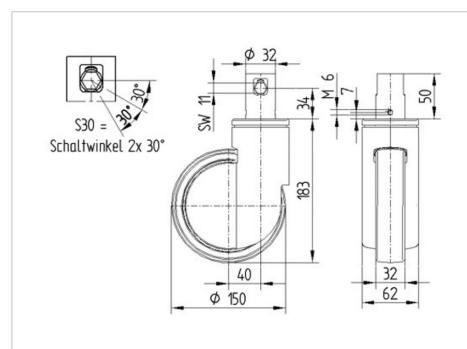
## Technical Data

|                        |                |
|------------------------|----------------|
| Wheel diameter         | 150 mm         |
| Wheel width            | 32 mm          |
| Castor width           | 62 mm          |
| Bolt-Ø                 | 32 mm          |
| Bolt length            | 51 mm          |
| Dome-Ø                 | 62 mm          |
| Offset                 | 40 mm          |
| Swivel Interference    | 230 mm         |
| Overall height         | 183 mm         |
| Temperature            | - 25 / - 25 °C |
| Standard               | EN_12531       |
| Weight                 | 1.095 kg       |
| Swivel Radius          | 115 mm         |
| Hardness of tread      | Shore D 42     |
| Load capacity          | 150 kg         |
| Load capacity (static) | 450 kg         |

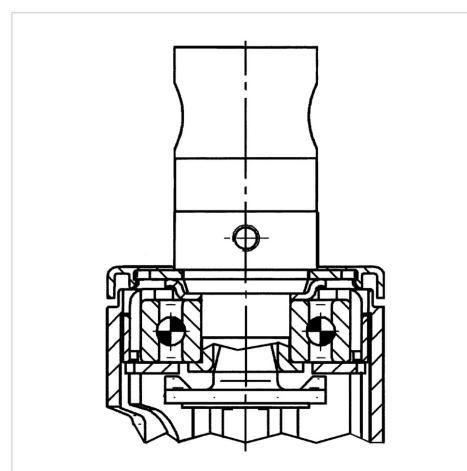
## Advantages at a glance

|                      |           |
|----------------------|-----------|
| Roll performance     | ● ● ● ○ ○ |
| Movement noise       | ● ● ● ○ ○ |
| Attrition            | ● ● ● ● ○ |
| Corrosion resistance | ● ● ● ○ ○ |

## Dimensions



## Structure & Mounting



# INTEGRAL

2044UAP150R36-32S30 4xM6

EAN 4031582300192



BETTER MOBILITY. BETTER LIFE.

## Structure & Mounting

---

A collection of three award logos. At the top left is the iF logo, a red square with white stylized letters 'i' and 'f'. To its right is the text "product design award winner" in red. Below that is the reddot logo, a red sphere with white horizontal stripes, followed by the text "reddot design award winner" in black. At the bottom is the TÜV SÜD logo, a blue octagon with a white circle containing a 'S' at the top, the letters "TÜV" in the center, and "SÜD" below it, with the text "Production monitored Type tested" at the very bottom.