

LEVINA LIGHT

5220PJP075S70-10x15

EAN 4031582492569

Swivel castor, Housing made of glass-filled Polyamide, threaded stem with hexagon neck. Wheel centre made of Polypropylene, Tread: TENTEprene (thermoplastic rubber), grey non-marking, precision ball bearing



BETTER MOBILITY. BETTER LIFE.



Picture may differ from original product

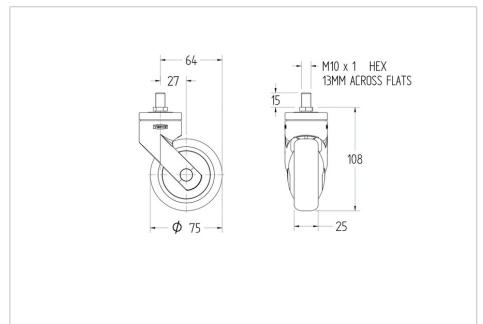
Technical Data

| | |
|---------------------|----------------|
| Wheel diameter | 75 mm |
| Wheel width | 25 mm |
| Threaded stem | M10x15 mm |
| Offset | 27 mm |
| Swivel Interference | 129 mm |
| Overall height | 109 mm |
| Temperature | - 10 / + 40 °C |
| Standard | EN_12530 |
| Weight | 0.194 kg |
| Hardness of tread | Shore A 87 |
| Load capacity | 75 kg |

Advantages at a glance

| | |
|----------------------|-----------|
| Roll performance | ● ● ● ○ ○ |
| Movement noise | ● ● ● ● ○ |
| Attrition | ● ● ● ○ ○ |
| Corrosion resistance | ● ● ● ● ○ |

Dimensions



Structure & Mounting

