

# GLIDE

A229YOI050B10-11x20

EAN 4031582319613

Glide made of Polypropylene, electric conductive, for soft floors



BETTER MOBILITY. BETTER LIFE.

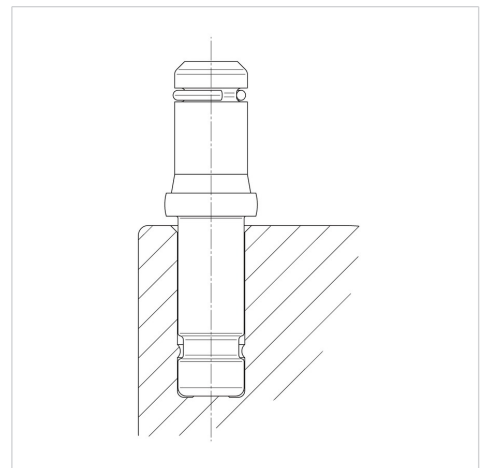


Picture may differ from original product

## Technical Data

Wheel diameter	50 mm
Castor width	50 mm
Metal stem with circlip	11 x 20 mm
Dome-Ø	38 mm
Overall height	33 mm
Temperature	- 20 / + 60 °C
Standard	EN12529
Weight	0.065 kg
Collar-Ø	50 mm
Hardness of tread	Shore D 65

## Structure & Mounting



## Advantages at a glance

Roll performance	● ● ● ○ ○
Movement noise	● ● ● ○ ○
Attrition	● ● ● ○ ○
Corrosion resistance	● ● ● ○ ○