

OMIKRON

9250STP400P66

EAN 4031582314069

Swivel castor, housing and plate steel-welded, zinc plated, blue passivated, sealed swivel bearing with dual purpose bearing and tapered roller bearing, threaded king pin and locking nut secured, grease nipple, wheel axle with nut, plate fitting. Wheel centre made of pressed steel, lacquered, heavy duty, Tread: Polyurethane, casted, precision ball bearing



BETTER MOBILITY. BETTER LIFE.



Picture may differ from original product

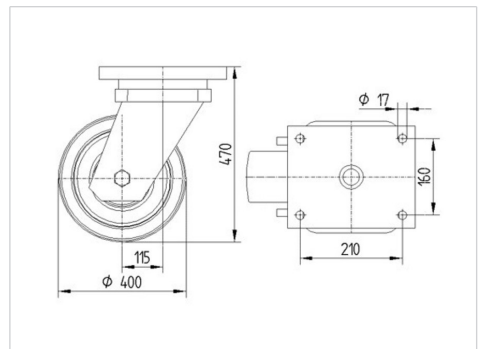
Technical Data

Wheel diameter	400 mm
Wheel width	100 mm
Size of Plate	250 x 200 mm
Plate hole centres	210 x 160 mm
Plate hole	17 mm
Offset	115 mm
Swivel Interference	630 mm
Overall height	470 mm
Temperature	- 20 / + 60 °C
Standard	EN_12533
Weight	54.818 kg
Swivel Radius	315 mm
Hardness of tread	Shore A 92
Load capacity	3200 kg
Load capacity (static)	6400 kg

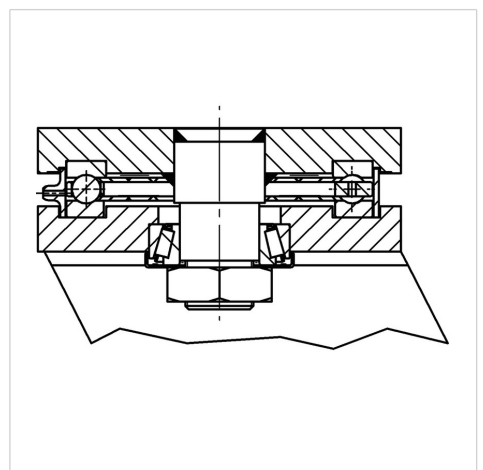
Advantages at a glance

Roll performance	● ● ● ○ ○
Movement noise	● ● ● ○ ○
Attrition	● ● ● ● ○
Corrosion resistance	● ● ● ○ ○

Dimensions



Structure & Mounting



OMIKRON

9250STP400P66

EAN 4031582314069



BETTER MOBILITY. BETTER LIFE.

Structure & Mounting

