

NOVATECH

ETP080x30-Ø12 HL28_TBE

EAN 4031582438055

Wheel centre made of steel, Tread: Polyurethane, casted, precision ball bearing.

Load capacities on a smooth, even surface.



BETTER MOBILITY. BETTER LIFE.

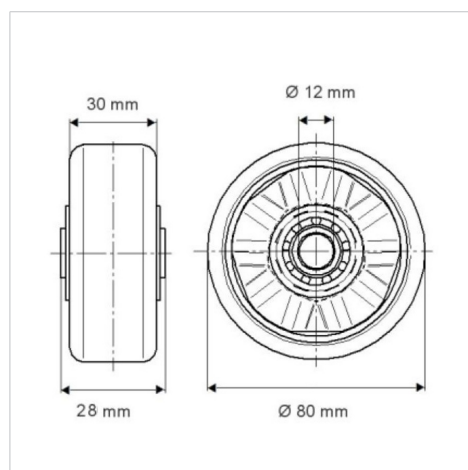


Picture may differ from original product

Technical Data

Wheel diameter	80 mm
Wheel width	30 mm
Axle Hole-Ø	12 mm
Hub length	28 mm
Temperature	- 20 / + 60 °C
Weight	0.496 kg
Hardness of tread	Shore A 92
Bearing type	6201 No.
Load capacity	180 kg

Dimensions



Advantages at a glance

Roll performance	● ● ● ● ○
Movement noise	● ● ● ○ ○
Attrition	● ● ● ● ○
Corrosion resistance	● ● ● ○ ○

Structure & Mounting

