

# STORA

## 2875ZIP125P30-13 DERECHA

EAN 4031582453218

Walkway Castor with automatic side brake for moving walkways, flanged wheel with one ball race, left and right hand design, housing made of pressed steel, bright zinc plated, blue passivated, double ball bearing swivel head, wheel axle with nut, Wheel centre: plastic, Tread: rubber, with threadguards, precision ball bearing.

Designed for the following palletsize: track width: approx: 2,75 mm, groove width: approx. 5,7 mm, groove depth: > 10 mm.

Hint:

Load capacity 100 kg per castor on level and securely attached floors, 40 kg per castor on walkways. Use on uneven floors, outdoors (ground beams, gaps, joints, manhole covers, etc.) can affect the life expectancy of castors. Load capacity 80 kg per castor on level and securely attached floors, 40 kg per castor on walkways. Please note that according to EN1929 only castors with a minimum wheel diameter of 120 mm can be used on walkways.



BETTER MOBILITY. BETTER LIFE.



Picture may differ from original product

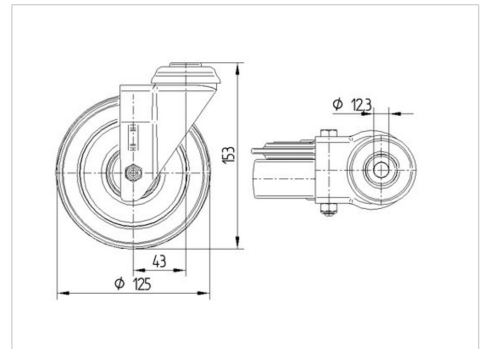
### Technical Data

|                        |                |
|------------------------|----------------|
| Wheel diameter         | 125 mm         |
| Wheel width            | 32 mm          |
| Centre hole            | 13 mm          |
| Offset                 | 40 mm          |
| Swivel Interference    | 205 mm         |
| Overall height         | 153 mm         |
| Temperature            | - 20 / + 60 °C |
| Standard               | EN_12530       |
| Weight                 | 0.934 kg       |
| Swivel Radius          | 102.5 mm       |
| Hardness of tread      | Shore D 80     |
| Load capacity          | 100 kg         |
| Load capacity (static) | 200 kg         |

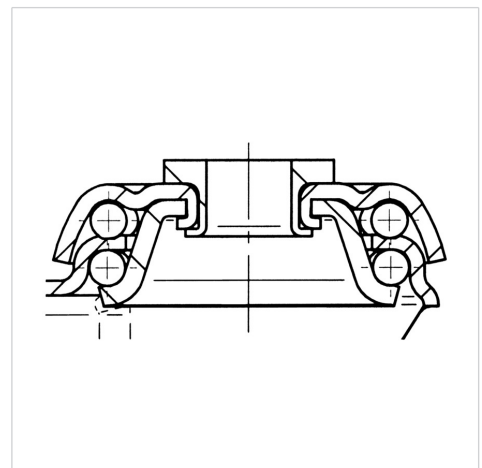
### Advantages at a glance

|                      |           |
|----------------------|-----------|
| Roll performance     | ● ● ● ○ ○ |
| Movement noise       | ● ● ● ○ ○ |
| Attrition            | ● ● ● ○ ○ |
| Corrosion resistance | ● ● ● ○ ○ |

### Dimensions



### Structure & Mounting



# STORA

2875ZIP125P30-13 DERECHA

EAN 4031582453218



BETTER MOBILITY. BETTER LIFE.

## Structure & Mounting

---

