

NOVATECH

ETP080x25-Ø20 HL14

EAN 4031582318531

Wheel centre made of steel, Tread: Polyurethane, casted, precision ball bearing.

Load capacities on a smooth, even surface.



BETTER MOBILITY. BETTER LIFE.

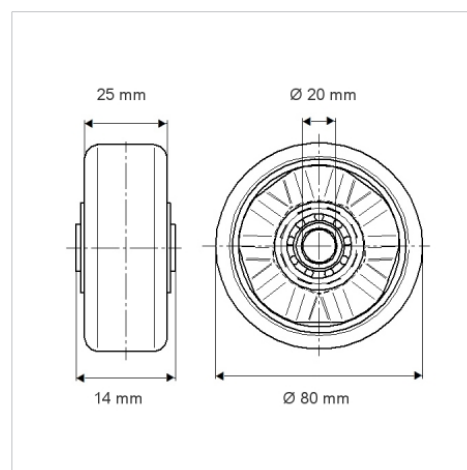


Picture may differ from original product

Technical Data

| | |
|------------------------|----------------|
| Wheel diameter | 80 mm |
| Wheel width | 25 mm |
| Axle Hole-Ø | 20 mm |
| Hub length | 14 mm |
| Temperature | - 10 / + 60 °C |
| Standard | EN_12532 |
| Weight | 0.38 kg |
| Hardness of tread | Shore A 92 |
| Load capacity | 160 kg |
| Load capacity (static) | 320 kg |

Dimensions



Advantages at a glance

| | |
|----------------------|-----------|
| Roll performance | ● ● ● ● ○ |
| Movement noise | ● ● ● ○ ○ |
| Attrition | ● ● ● ● ○ |
| Corrosion resistance | ● ● ● ○ ○ |

Structure & Mounting

