

NOVATECH

ETP082x100-Ø20 HL100

EAN 4031582329308

Wheel centre made of steel, Tread: Polyurethane, casted, precision ball bearing.

Load capacities on a smooth, even surface.



BETTER MOBILITY. BETTER LIFE.

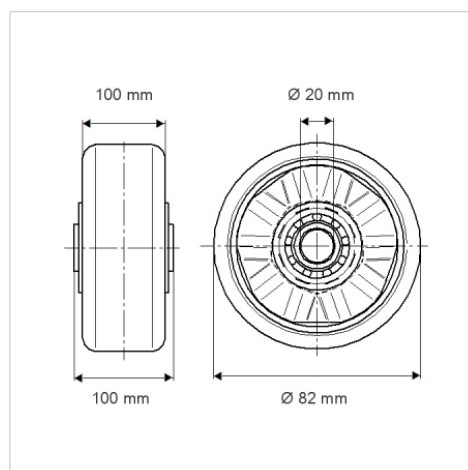


Picture may differ from original product

Technical Data

Wheel diameter	82 mm
Wheel width	100 mm
Axle Hole-Ø	20 mm
Hub length	100 mm
Temperature	- 10 / + 60 °C
Standard	EN_12532
Weight	1.144 kg
Hardness of tread	Shore A 92
Bearing type	6204 No.
Load capacity	800 kg
Load capacity (static)	1600 kg

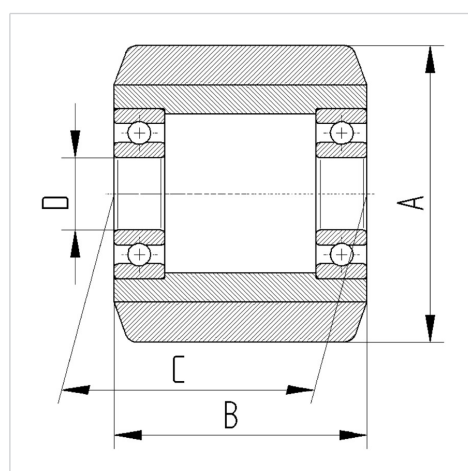
Dimensions



Advantages at a glance

Roll performance	● ● ● ● ○
Movement noise	● ● ● ○ ○
Attrition	● ● ● ● ○
Corrosion resistance	● ● ● ○ ○

Structure & Mounting



NOVATECH

ETP082x100-Ø20 HL100

EAN 4031582329308



BETTER MOBILITY. BETTER LIFE.

Structure & Mounting

