

# NOVATECH

ETP095x40-Ø20 HL45

EAN 4031582330403

Wheel centre made of steel, Tread: Polyurethane, casted, precision ball bearing.

Load capacities on a smooth, even surface.



BETTER MOBILITY. BETTER LIFE.

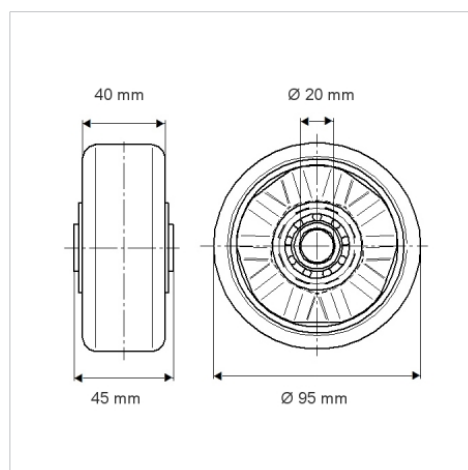


Picture may differ from original product

## Technical Data

Wheel diameter	95 mm
Wheel width	40 mm
Axle Hole-Ø	20 mm
Hub length	45 mm
Temperature	- 20 / + 60 °C
Weight	1.585 kg
Hardness of tread	Shore A 92
Bearing type	6204ZV No.
Load capacity	400 kg
Load capacity (static)	800 kg

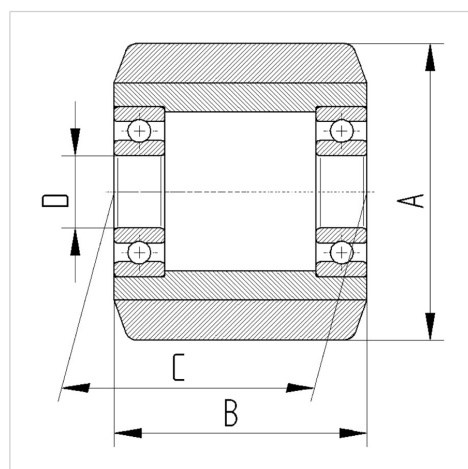
## Dimensions



## Advantages at a glance

Roll performance	● ● ● ● ○
Movement noise	● ● ● ○ ○
Attrition	● ● ● ● ○
Corrosion resistance	● ● ● ○ ○

## Structure & Mounting



# NOVATECH

ETP095x40-Ø20 HL45

EAN 4031582330403



BETTER MOBILITY. BETTER LIFE.

## Structure & Mounting

---

