

KAPPA

9682ITP250P63 Flat

EAN 4031582315974

Swivel castor with total lock, head end of castor, housing and plate steel-welded, bright zinc plated, blue passivated, sealed single swivel double ball bearing, threaded king pin and locking nut secured, grease nipple, wheel axle with nut, plate fitting. Wheel centre made of Aluminium, Tread: Polyurethane, casted, precision ball bearing



BETTER MOBILITY. BETTER LIFE.



Picture may differ from original product

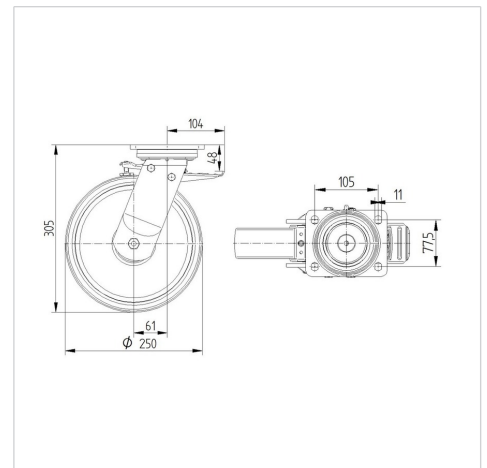
Technical Data

Wheel diameter	250 mm
Wheel width	55 mm
Castor width	116 mm
Size of Plate	135 x 110 mm
Plate hole centres	105 x 80/75 mm
Plate hole	11 mm
Dome-Ø	111 mm
Offset	61 mm
Swivel Interference	375 mm
Overall height	305 mm
Temperature	- 10 / + 60 °C
Standard	EN_12532
Weight	5.964 kg
Swivel Radius	187.5 mm
Hardness of tread	Shore A 92
Load capacity	1000 kg
Load capacity (static)	2000 kg

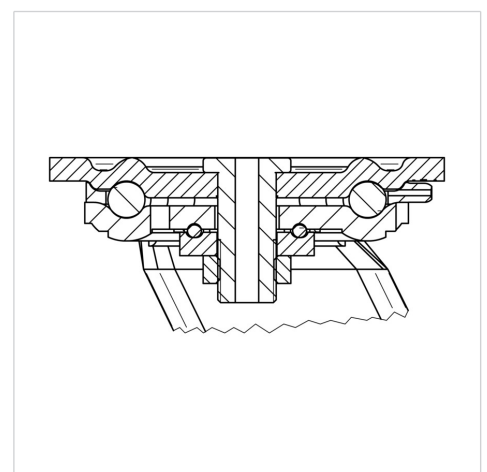
Advantages at a glance

Roll performance	● ● ● ○ ○
Movement noise	● ● ● ○ ○
Attrition	● ● ● ● ○
Corrosion resistance	● ● ● ○ ○

Dimensions



Structure & Mounting



KAPPA

9682ITP250P63 Flat

EAN 4031582315974



BETTER MOBILITY. BETTER LIFE.

Structure & Mounting

