

# LEVINA LIGHT

5220PJP075S70-10x15

EAN 4031582492569

Swivel castor, Housing made of glass-filled Polyamide, threaded stem with hexagon neck. Wheel centre made of Polypropylene, Tread: TENTEprene (thermoplastic rubber), grey non-marking, precision ball bearing



BETTER MOBILITY. BETTER LIFE.



Picture may differ from original product

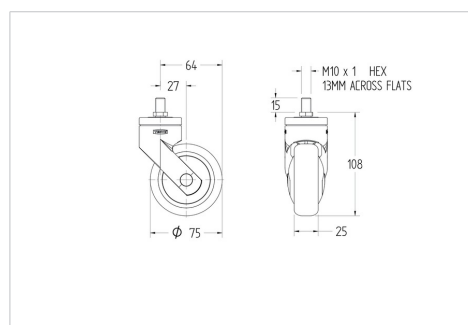
## Technical Data

Wheel diameter	75 mm
Wheel width	25 mm
Threaded stem	M10x15 mm
Offset	27 mm
Swivel Interference	129 mm
Overall height	109 mm
Temperature	- 10 / + 40 °C
Standard	EN_12530
Weight	0.194 kg
Hardness of tread	Shore A 87
Load capacity	75 kg

## Advantages at a glance

Roll performance	● ● ● ○ ○
Movement noise	● ● ● ● ○
Attrition	● ● ● ○ ○
Corrosion resistance	● ● ● ● ○

## Dimensions



## Structure & Mounting

