

INTEGRAL TWIN

2940UAP150R05-28

EAN 4031582302509

Swivel castor, frame made of pressed steel, precision ball bearing in swivel head, housing with synthetic cover, solid plug fitting. Wheel centre made of Polyamide, Tread: Polyurethane, precision ball bearing
Hint: TÜV Süd certified product.



BETTER MOBILITY. BETTER LIFE.



Picture may differ from original product

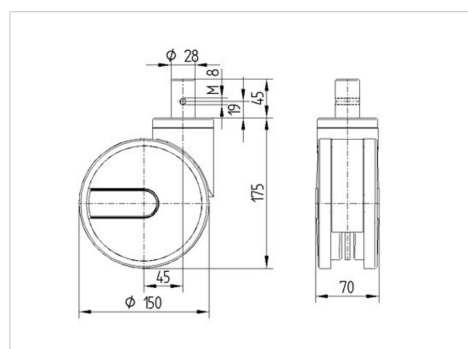
Technical Data

| | |
|------------------------|----------------|
| Wheel diameter | 150 mm |
| Wheel width | 15 mm |
| Castor width | 75 mm |
| Bolt-Ø | 28 mm |
| Bolt length | 45 mm |
| Dome-Ø | 70 mm |
| Offset | 45 mm |
| Swivel Interference | 248 mm |
| Overall height | 175 mm |
| Temperature | - 25 / - 25 °C |
| Standard | EN_12531 |
| Weight | 1.003 kg |
| Swivel Radius | 124 mm |
| Hardness of tread | Shore D 42 |
| Load capacity | 150 kg |
| Load capacity (static) | 450 kg |

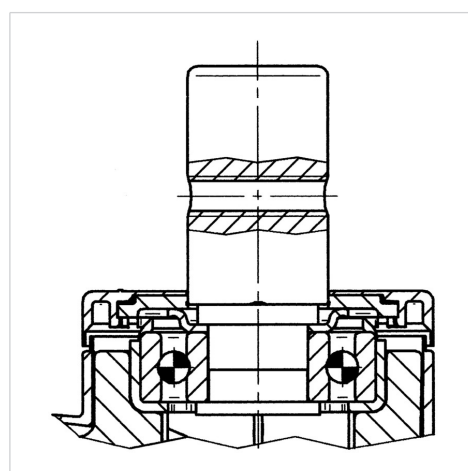
Advantages at a glance

| | |
|----------------------|-----------|
| Roll performance | ● ● ● ● ● |
| Movement noise | ● ● ● ○ ○ |
| Attrition | ● ● ● ● ○ |
| Corrosion resistance | ● ● ● ○ ○ |

Dimensions



Structure & Mounting



INTEGRAL TWIN

2940UAP150R05-28

EAN 4031582302509



BETTER MOBILITY. BETTER LIFE.

Structure & Mounting

