

BASETECH

POI050x20-Ø6

EAN 4031582320701

Wheel centre made of Polypropylene, plain bearing



BETTER MOBILITY. BETTER LIFE.

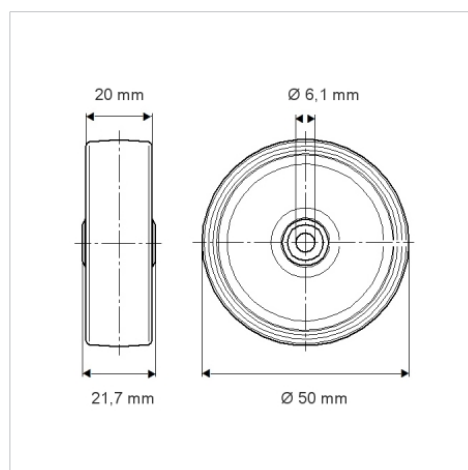


Picture may differ from original product

Technical Data

Wheel diameter	50 mm
Wheel width	20 mm
Axle Hole-Ø	6.1 mm
Hub length	21.7 mm
Temperature	- 20 / + 60 °C
Standard	EN_12530
Weight	0.016 kg
Hardness of tread	Shore D 65
Load capacity	35 kg
Load capacity (static)	70 kg

Dimensions



Advantages at a glance

Roll performance	● ● ● ○ ○
Movement noise	● ● ● ○ ○
Attrition	● ● ● ● ●
Corrosion resistance	● ● ● ○ ○