

AGILA

2477DYK075R07-Ø21,5-24

EAN 4031582340761

Swivel castor with total lock, tail end of castor, housing made of pressed steel, bright zinc plated, blue passivated, double ball bearing swivel head, Expanding fittings, round. Wheel centre made of pressed steel, Tread: solid rubber black, non-staining, electric conductive, with threadguards, cone ball bearing Please indicate required tube innerdiameter when ordering.



BETTER MOBILITY. BETTER LIFE.



Picture may differ from original product

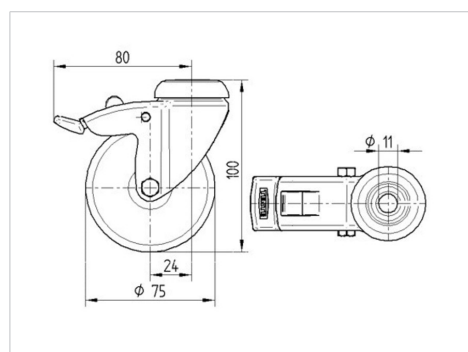
Technical Data

Wheel diameter	75 mm
Wheel width	25 mm
Castor width	43 mm
Expanding fitting-Ø	22 - 24 mm
Dome-Ø	43 mm
Offset	24 mm
Swivel Interference	160 mm
Overall height	103 mm
Temperature	- 10 / + 40 °C
Standard	EN_12530
Weight	0.517 kg
Swivel Radius	80 mm
Hardness of tread	Shore A 80
Load capacity	55 kg
Load capacity (static)	110 kg

Advantages at a glance

Roll performance	● ● ● ○ ○
Movement noise	● ● ● ○ ○
Attrition	● ● ● ○ ○
Corrosion resistance	● ● ● ○ ○

Dimensions



Structure & Mounting

