

AGILA

2477DYK100R07-Ø27-30

EAN 4031582342284

Swivel castor with total lock, tail end of castor, housing made of pressed steel, bright zinc plated, blue passivated, double ball bearing swivel head, wheel axle with nut, Expanding fittings, round. Wheel centre made of pressed steel, Tread: solid rubber black, non-staining, electric conductive, with threadguards, cone ball bearing. Please indicate required tube innerdiameter when ordering.



BETTER MOBILITY. BETTER LIFE.



Picture may differ from original product

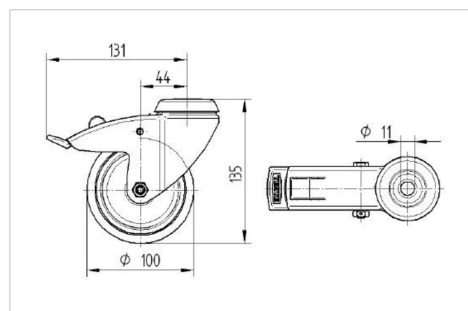
Technical Data

| | |
|------------------------|----------------|
| Wheel diameter | 100 mm |
| Wheel width | 32 mm |
| Expanding fitting-Ø | 27 - 30 mm |
| Offset | 43.5 mm |
| Swivel Interference | 262 mm |
| Overall height | 138 mm |
| Temperature | - 10 / + 40 °C |
| Standard | EN_12530 |
| Swivel Radius | 131 mm |
| Hardness of tread | Shore A 80 |
| Load capacity | 80 kg |
| Load capacity (static) | 160 kg |

Advantages at a glance

| | |
|----------------------|-----------|
| Roll performance | ● ● ● ○ ○ |
| Movement noise | ● ● ● ○ ○ |
| Attrition | ● ● ● ○ ○ |
| Corrosion resistance | ● ● ● ○ ○ |

Dimensions



Structure & Mounting

