

# DURATECH

TOP250x50-Ø25

EAN 4031582322743

Wheel centre made of Polyamide, heavy duty, precision ball bearing



BETTER MOBILITY. BETTER LIFE.

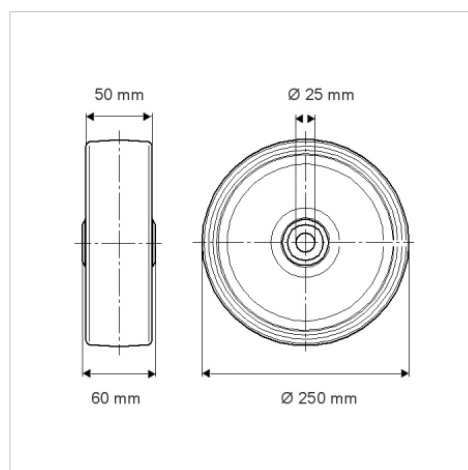


Picture may differ from original product

## Technical Data

|                        |                |
|------------------------|----------------|
| Wheel diameter         | 250 mm         |
| Wheel width            | 50 mm          |
| Axle Hole-Ø            | 25 mm          |
| Hub length             | 60 mm          |
| Temperature            | - 40 / + 80 °C |
| Standard               | EN_12533       |
| Weight                 | 1.858 kg       |
| Hardness of tread      | Shore D 75     |
| Bearing type           | 6205 No.       |
| Load capacity          | 1100 kg        |
| Load capacity (static) | 2200 kg        |

## Dimensions



## Advantages at a glance

|                      |           |
|----------------------|-----------|
| Roll performance     | ● ● ● ● ● |
| Movement noise       | ● ● ● ○ ○ |
| Attrition            | ● ● ● ● ● |
| Corrosion resistance | ● ● ● ○ ○ |

## Structure & Mounting

