

NOVATECH

ETY100x20-Ø20 HL14

EAN 4031582318845

Wheel centre made of steel, tread: Polyurethane, casted, precision ball bearing RS or 2 RS



BETTER MOBILITY. BETTER LIFE.

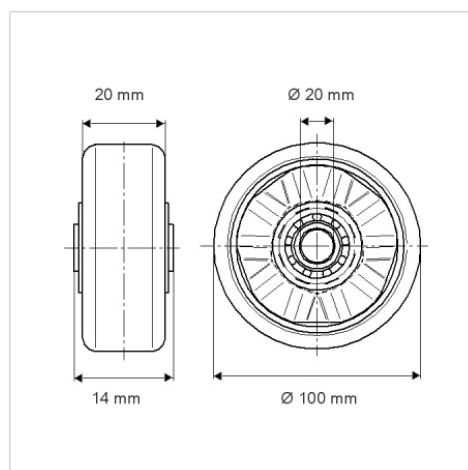


Picture may differ from original product

Technical Data

Wheel diameter	100 mm
Wheel width	20 mm
Axle Hole-Ø	20 mm
Hub length	14 mm
Temperature	- 10 / + 60 °C
Standard	EN_12532
Weight	0.4 kg
Hardness of tread	Shore D 42
Load capacity	180 kg
Load capacity (static)	360 kg

Dimensions



Advantages at a glance

Roll performance	● ● ● ● ○
Movement noise	● ● ● ○ ○
Attrition	● ● ● ● ○
Corrosion resistance	● ● ● ○ ○

Structure & Mounting

