

AGILA

2470UAP125P30-11

EAN 4031582301151

Swivel castor, housing made of pressed steel, bright zinc plated, blue passivated, double ball bearing swivel head, wheel axle with nut, bolt hole. Wheel centre made of Polyamide, Tread: Polyurethane, precision ball bearing, with threadguards Castors can be mounted with standard screws of any length.



BETTER MOBILITY. BETTER LIFE.



Picture may differ from original product

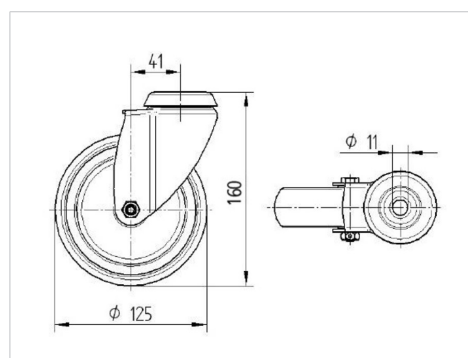
Technical Data

| | |
|------------------------|----------------|
| Wheel diameter | 125 mm |
| Wheel width | 32 mm |
| Castor width | 60 mm |
| Centre hole | 11 mm |
| Dome-Ø | 60 mm |
| Offset | 41 mm |
| Swivel Interference | 207 mm |
| Overall height | 160 mm |
| Temperature | - 25 / - 25 °C |
| Standard | EN_12530 |
| Weight | 0.799 kg |
| Swivel Radius | 103.5 mm |
| Hardness of tread | Shore D 42 |
| Load capacity | 100 kg |
| Load capacity (static) | 200 kg |

Advantages at a glance

| | |
|----------------------|-----------|
| Roll performance | ● ● ● ○ ○ |
| Movement noise | ● ● ● ○ ○ |
| Attrition | ● ● ● ● ○ |
| Corrosion resistance | ● ● ● ○ ○ |

Dimensions



Structure & Mounting

