

# LEVINA LIGHT

5220PJP100S70-3/8-16x1

EAN 4031582492798

Swivel castor, Housing made of glass-filled Polyamide, threaded stem with hexagon neck. Wheel centre made of Polypropylene, Tread: TENTEprene (thermoplastic rubber), grey non-marking, precision ball bearing



BETTER MOBILITY. BETTER LIFE.

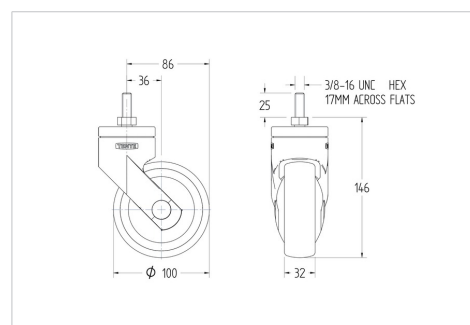


Picture may differ from original product

## Technical Data

|                     |                |
|---------------------|----------------|
| Wheel diameter      | 100 mm         |
| Wheel width         | 32 mm          |
| Threaded stem       | 3/8-16X1 mm    |
| Dome-Ø              | 59 mm          |
| Offset              | 36 mm          |
| Swivel Interference | 172 mm         |
| Overall height      | 146.3 mm       |
| Temperature         | - 10 / + 40 °C |
| Standard            | EN_12530       |
| Swivel Radius       | 86 mm          |
| Hardness of tread   | Shore A 87     |
| Load capacity       | 82 kg          |

## Dimensions



## Advantages at a glance

|                      |           |
|----------------------|-----------|
| Roll performance     | ● ● ● ○ ○ |
| Movement noise       | ● ● ● ● ○ |
| Attrition            | ● ● ● ○ ○ |
| Corrosion resistance | ● ● ● ● ○ |