

STYLEA

5920UAI075L51-10 DM22 RAL9006

EAN 4031582310832

Swivel castor, housing made of Polyamide, with blind hole fitting. Wheel centre made of Polyamide, Tread: Polyurethane, plain bearing



BETTER MOBILITY. BETTER LIFE.

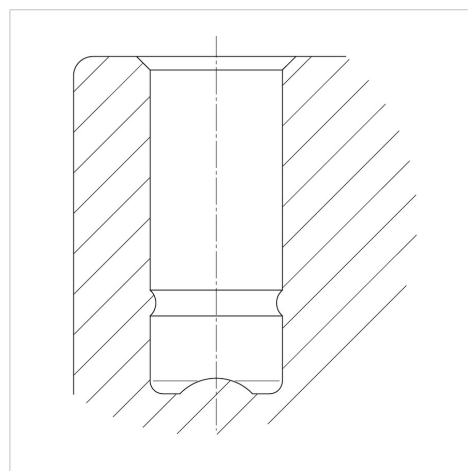


Picture may differ from original product

Technical Data

| | |
|------------------------|----------------|
| Wheel diameter | 75 mm |
| Wheel width | 10 mm |
| Castor width | 65 mm |
| Centre hole | 10 mm |
| Dome-Ø | 22 mm |
| Offset | 24 mm |
| Swivel Interference | 124 mm |
| Overall height | 76 mm |
| Temperature | - 20 / + 60 °C |
| Standard | EN_12528 |
| Weight | 0.149 kg |
| Swivel Radius | 62 mm |
| Hardness of tread | Shore A 92 |
| Load capacity | 80 kg |
| Load capacity (static) | 160 kg |

Structure & Mounting



Advantages at a glance

| | |
|----------------------|-----------|
| Roll performance | ● ● ● ○ ○ |
| Movement noise | ● ● ● ○ ○ |
| Attrition | ● ● ● ○ ○ |
| Corrosion resistance | ● ● ● ● ○ |