



BETTER MOBILITY. BETTER LIFE.

5327PJP125P50

EAN 4031582367430

Swivel castor with total lock, tail end of castor, housing and wheels made from high grade synthetic materials, with integrated threadguards, all metal parts are bright zinc plated, yellow thick layer passivated, plate fitting. Wheel centre made of Polypropylene, Tread: TENTEprene (thermoplastic rubber), grey non-marking, precision ball bearing, with threadguards

Hint: These castors are also with grey locking lever available.



Picture may differ from original product

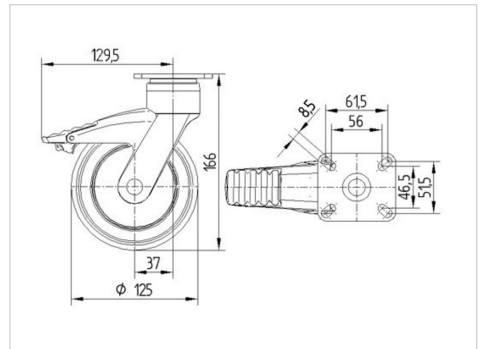
Technical Data

Wheel diameter	125 mm
Wheel width	32 mm
Size of Plate	77 x 67 mm
Plate hole centres	61,5/56 x 51,5/46,5 mm
Plate hole	8,5 mm
Offset	38 mm
Swivel Interference	259 mm
Overall height	166 mm
Temperature	- 10 / + 40 °C
Standard	EN_12530
Weight	0.699 kg
Hardness of tread	Shore A 87
Load capacity	100 kg
Load capacity (static)	200 kg

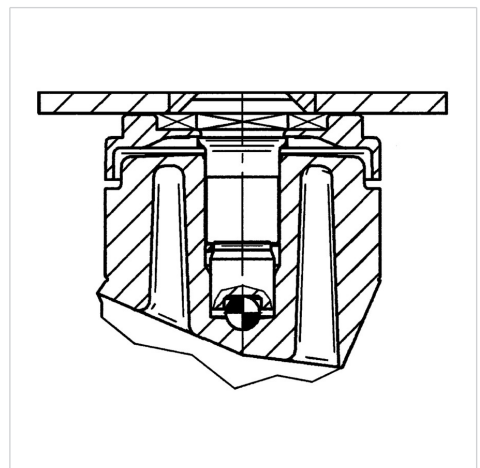
Advantages at a glance

Roll performance	● ● ● ○ ○
Movement noise	● ● ● ● ○
Attrition	● ● ● ○ ○
Corrosion resistance	● ● ● ● ○

Dimensions



Structure & Mounting





BETTER MOBILITY. BETTER LIFE.

5327PJP125P50

EAN 4031582367430

Structure & Mounting

