

ALPHA

3478PVO125P62

EAN 4031582306736

Fixed castor, Fork made of pressed steel, bright zinc plated, blue passivated, wheel axle with nut, plate fitting.
Wheel centre made of Polypropylene, Tread: solid rubber, black, plain bearing



BETTER MOBILITY. BETTER LIFE.

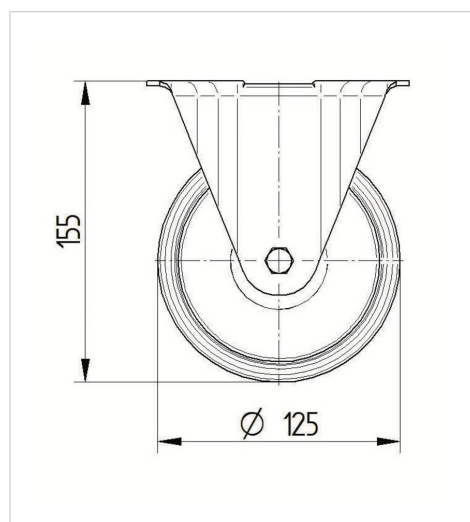


Picture may differ from original product

Technical Data

| | |
|------------------------|----------------|
| Wheel diameter | 125 mm |
| Wheel width | 37 mm |
| Castor width | 85 mm |
| Size of Plate | 103 x 85 mm |
| Plate hole centres | 80/77 x 60 mm |
| Plate hole | 9 mm |
| Overall height | 155 mm |
| Temperature | - 20 / + 60 °C |
| Standard | EN_12532 |
| Weight | 0.813 kg |
| Hardness of tread | Shore A 80 |
| Load capacity | 100 kg |
| Load capacity (static) | 200 kg |

Dimensions



Advantages at a glance

| | |
|----------------------|-----------|
| Roll performance | ● ● ○ ○ ○ |
| Movement noise | ● ● ● ○ ○ |
| Attrition | ● ● ○ ○ ○ |
| Corrosion resistance | ● ● ● ○ ○ |

ALPHA

3478PVO125P62

EAN 4031582306736



BETTER MOBILITY. BETTER LIFE.

Structure & Mounting

